

MODEL 35" SNACK

GLASS FRONT MERCHANDISER ILLUSTRATED PARTS MANUAL

LO072 REV. F

AUTOMATED MERCHANDISING SYSTEMS INC.
255 WEST BURR BLVD.
KEARNEYSVILLE, WV 25430
304-725-6921 - Fax 304-725-6983

info@amsvendors.com
www.amsvendors.com

INTERNATIONAL A.M.S. S DE RL DE CV
KM. 9 CARR. AL CASTILLO NO. 8200
MPIO. DE EL SALTO, JAL. MEXICO 45680
5233-3-6-88-07-17 - Fax 5233-3-6-88-13-14

servicio@amsint.com.mx
www.amsint.com.mx

Table of Contents

<u>SECTION</u>	<u>PAGE</u>
INTRODUCTION	
Table of Contents	3
General Introduction	4
Manual Organization	4
Merchandiser Identification	5
New Numbering System for Merchandisers	5
Patent Disclosure	6
Publication Notice	7
CABINET	
Cabinet Covers and Screens	8
Cabinet Left Side and Center View	10
Cabinet Right Side View	12
CHILLER OPTION	
Chiller Parts – Angled View	14
Chiller Parts – Top View	16
Chiller Option - Ventilated Cabinet	18
DOOR	
Door, Coin Bay	20
Door, External Parts	24
Door, Hinges, Glass and Lights	26
Door, Optional Lamps	30
Door, Sensor System and Hopper	32
Door, Trim and Finish Parts	36
POS Display	40
ELECTRICAL HARNESSSES	42
HELIX AND TRAYS	
Helixes	60
Tray, 1.5" Helix	62
Tray, Bottle	64
Tray, Universal (Snack/Candy/Food)	66

GENERAL INTRODUCTION

The purpose of this manual is to give our customers a way of identifying major service parts for repair and replacement. The illustrations and parts list in this manual are for identification only. Some optional parts are also shown.

Illustrations of these major parts are keyed with our part numbers. The illustrations help identify the general design, position and orientation of these parts. The note section may also give important information.

Please refer to the section on merchandiser identification on the following pages. Without the model style and serial number it may be difficult to identify the required part.

Parts should be ordered from your distributor.

It is our intent to assist our customers with up-to-date documentation. However, this manual may not show all parts, variations or changes. Some parts may be shown out of scale. This manual is itself subject to change without notice. If any errors are found, please notify AMS so the correction can be included in later revisions. Engineering data and third party information are generally not included. The graphical data, group assembly data, parts, part assembly, parts breakout information and tabular data conveyed by this manual is proprietary and belongs to AMS, and holders without prior consent of or without knowledge of and by AMS must surrender this data immediately.

All measurements are in inches except where specified as Metric.

MANUAL ORGANIZATION

This manual is divided into general sections. Each section is further divided into the various subsections or subassemblies. These lead off with one or more illustrations showing the parts and each part is identified with a number. Note that some part numbers are for assemblies fabricated as a unit at AMS and are replaceable only as a unit. Also, other part numbers identify optional parts which may or may not have been contracted for and factory installed by AMS.

The part number in the illustration is listed with the description or title for that part. In some instances there may be multiple parts to choose from. The correct service or repair part for the style of merchandiser must be selected. A quantities column in the list indicates quantities required.

There is a note section where additional information may be found.

This manual contains additional and new information for a vendor as currently manufactured. Older revisions of this manual should be kept with older vendors.

MERCHANDISER IDENTIFICATION

When requesting service, replacement parts or technical assistance, please use the **Model Number** and the **Serial Number**, found on the Serial Plate (Refer to Figure 1) affixed to the merchandiser. The plate is usually located inside the window. The information contained on this plate is necessary to determine what parts, kits, or maintenance apply to your vendor.

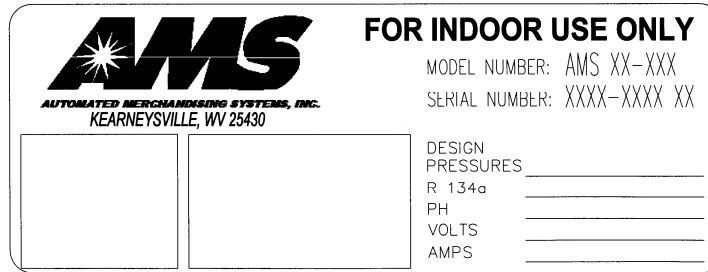
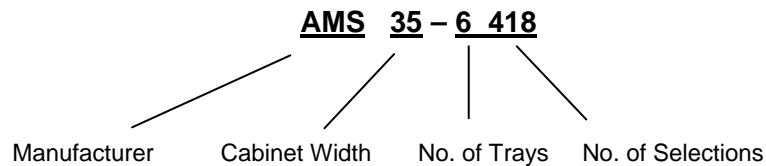


Figure 1. Example of Serial Plate

Example of Model Number Breakdown

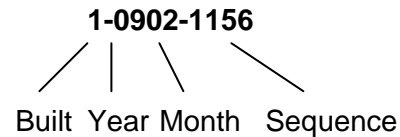


Example: AMS35-6-418 means this vendor is an Automated Merchandising Systems merchandiser, **35"** wide, with six (**6**) trays making available four hundred eighteen (**418**) positions for different products.

NUMBERING SYSTEM FOR MERCHANDISERS

Starting January 1, 2009, a new merchandiser numbering system went into effect as follows:

Example of Serial Numbering System



The first digit identifies where a merchandiser was manufactured. Those merchandisers built in the U.S. start with the number **1**. Those merchandisers built in Mexico start with the number **2**.

The next two digits identify the year of manufacture. These numbers are **09** (for 2009) and so forth.

The next two digits identify the month. The first month of the year is **01** and the last month is **12**.

The last four digits identify the number assigned to each merchandiser during assembly. Numbering starts with **0000** and continues through **9999**, whereupon these four digits start over at **0000**.

An example of the numbering system in use is as follows:

1-0902-1156

This merchandiser was manufactured at the Kearneysville, W.V. plant in 2009, in February, and was the 1156th merchandiser manufactured.

PATENT DISCLOSURE

This merchandiser and/or certain of its components are covered by one or more of the following U.S. and international patents;

U.S. PATENTS: 6,041,962; 6,145,699; 6,202,888; 6,384,402; 6,520,373; 6,708,079; 6,794,634; 7,191,915; 7,446,302; 7,343,220, 7,446,302, 7,742,837.

CANADIAN PATENT 2,329,314.

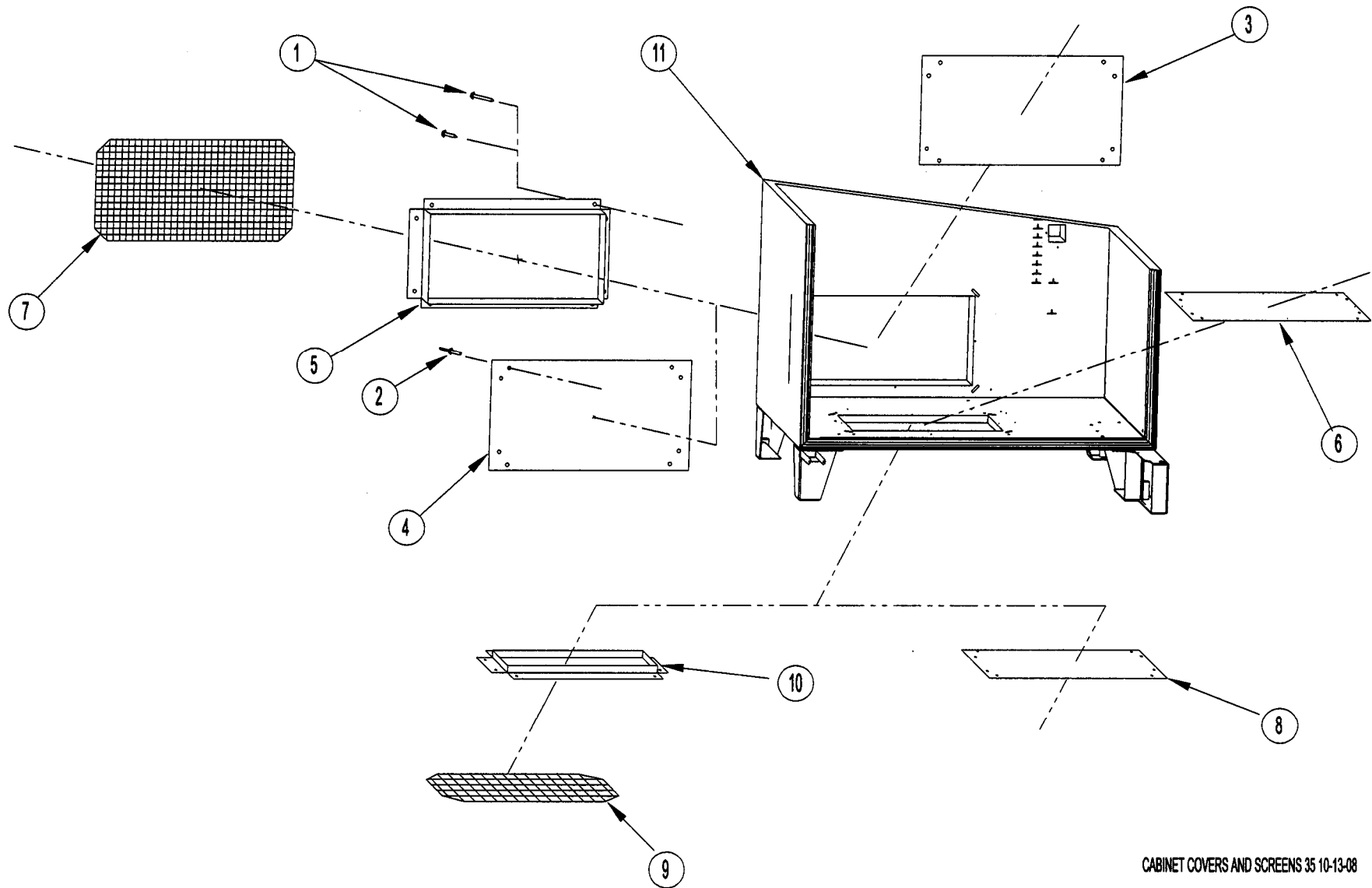
MEXICO PATENT 230714.

PUBLICATION NOTICE

L0072, Revision F, ECN 2436, 07/30/10

It is our intent to assist our customers with up-to-date information: however, this manual may not contain all updates and is subject to revision without notice. Please contact our Service Department with your requests or comments.

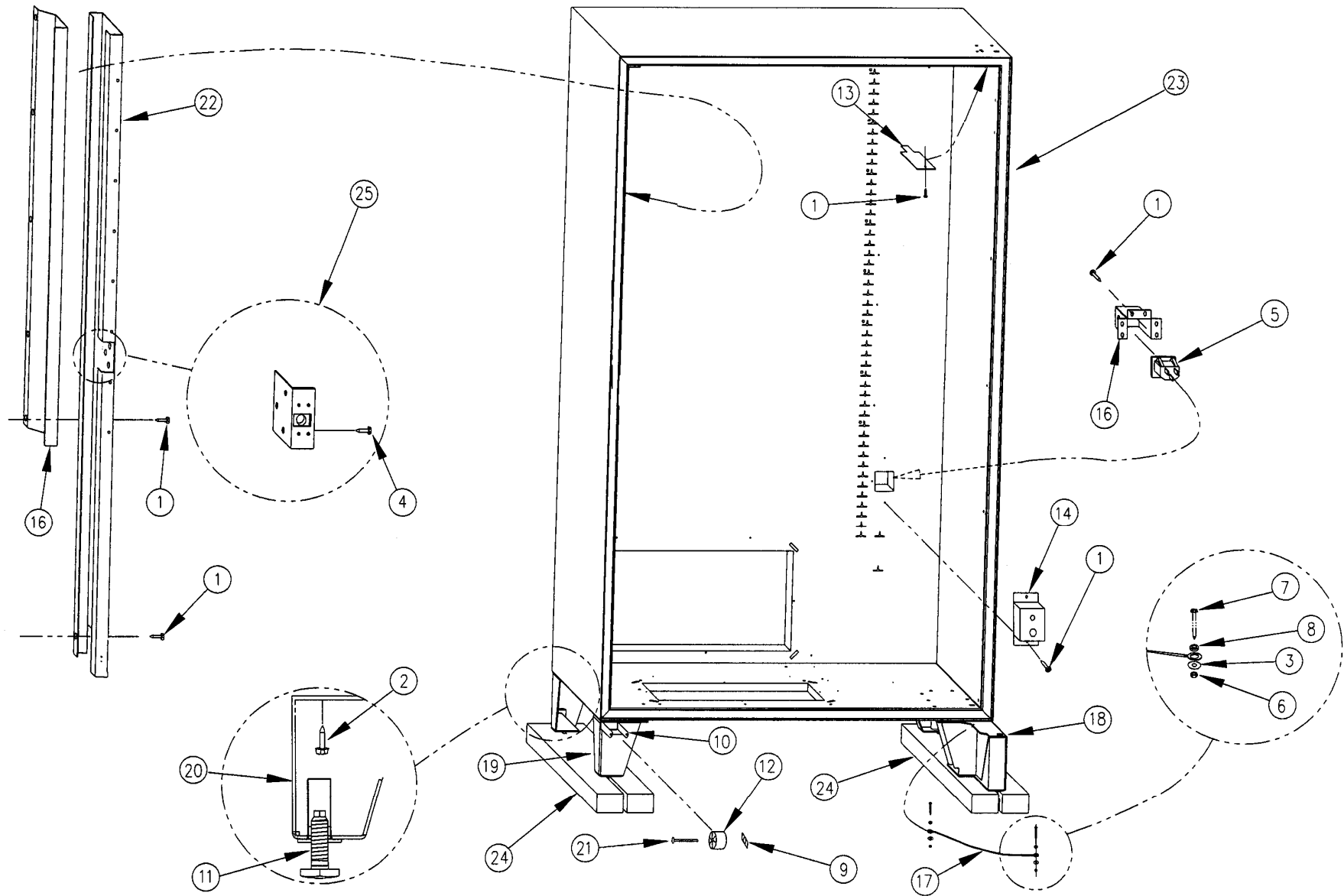
COVERS AND SCREENS ILLUSTRATION



CABINET COVERS AND SCREENS PARTS LIST				
ITEM	PART NO.	PART DESCRIPTION	QTY	NOTES
1	3000	Screw, Sheet Metal, TEK 8-18	8	Qty For One Trim
	3000-06	Screw, Sheet Metal, TEK 8-18		Qty For Rear Trim when option P/N 21308 is Installed
2	3009-02	Rivet, Pop, Steel, 1/8 (1/4" Long)	8	Quantities For One Cover
3	20185	Tank, Rear Chiller Hole Cover	1	35" and 39" use same rear cover. Use for Ambient (No Chiller) Option.
4	20187	Wrapper, Rear Chiller Hole Cover (Black)	1	35" and 39" use same rear cover. Use for Ambient (No Chiller) Option
	20187-01	Wrapper, Rear Chiller Hole Cover (Red)		
	20187-02	Wrapper, Rear Chiller Hole Cover (Bimbo Blue)		
5	20275	Trim, Chiller Hole	1	35" and 39" use same rear trim.
6	20375	Tank - Rear Chiller Hole Cover (35)	1	Use for Tank Bottom Cover. Use for Ambient (No Chiller) Option
7	20600	Screen, Rear, Insect (39") Aluminum 18x16 Mesh	1	35" and 39" use same rear screen.
	21040	Screen, Rear Chiller Hole, 8 Mesh (1/4" X 1/4")		35" and 39" use same rear screen.
	21308	Screen, Expanded Metal, Rear Chiller Hole (39")	1	35" and 39" use same option. Add to other rear screens. For Mexico.
8	21481	Wrapper- Bottom Chiller Hole Cover (35") VER 2	1	Use for Ambient (No Chiller) Option
9	21463	Screen, Bottom Chiller Hole, (35") 8 Mesh, VER 2	1	
	21469	Screen, Bottom, Insect (35"), VER 2 Aluminum 18x16 Mesh		
10	21464	Trim, Bottom Chiller Hole (35") VER 2	1	
11	21989	Assembly, Cabinet, Low Temp and Snack (35")	1	Tank is Inside, Wrapper is Outside

General Note: The rear opening and the bottom opening are not the same size on 35" Cabinets (ECN 1770). All screen materials are fitted to trim parts, and trim parts are attached to the outside of the cabinet with screws. The combination of screens may differ. Covers to seal the cabinet are always attached flush inside and outside the cabinet (without using trim) with rivets.

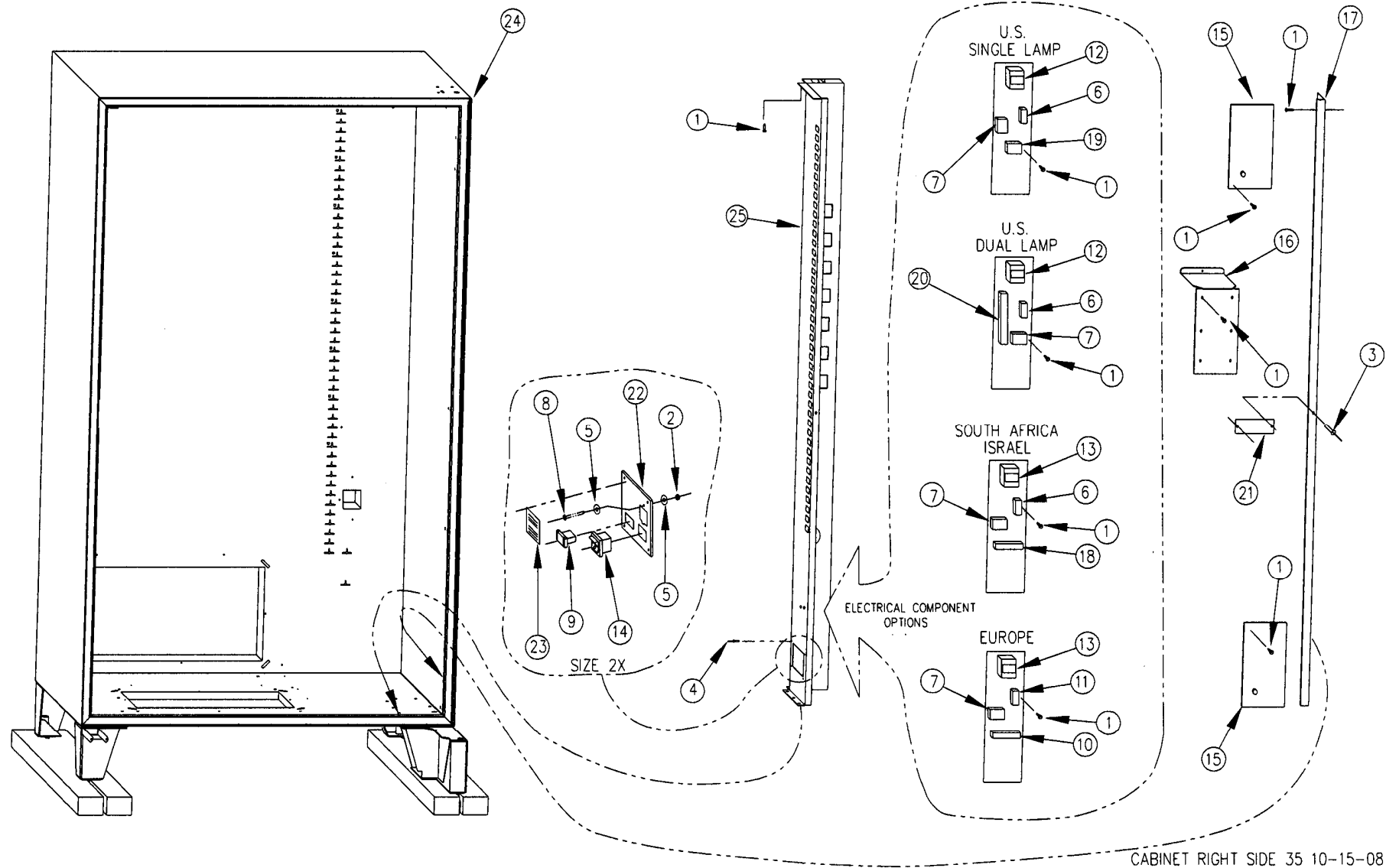
CABINET LEFT SIDE AND CENTER PARTS ILLUSTRATION



CABINET LEFT SIDE AND CENTER 35 10-15-08

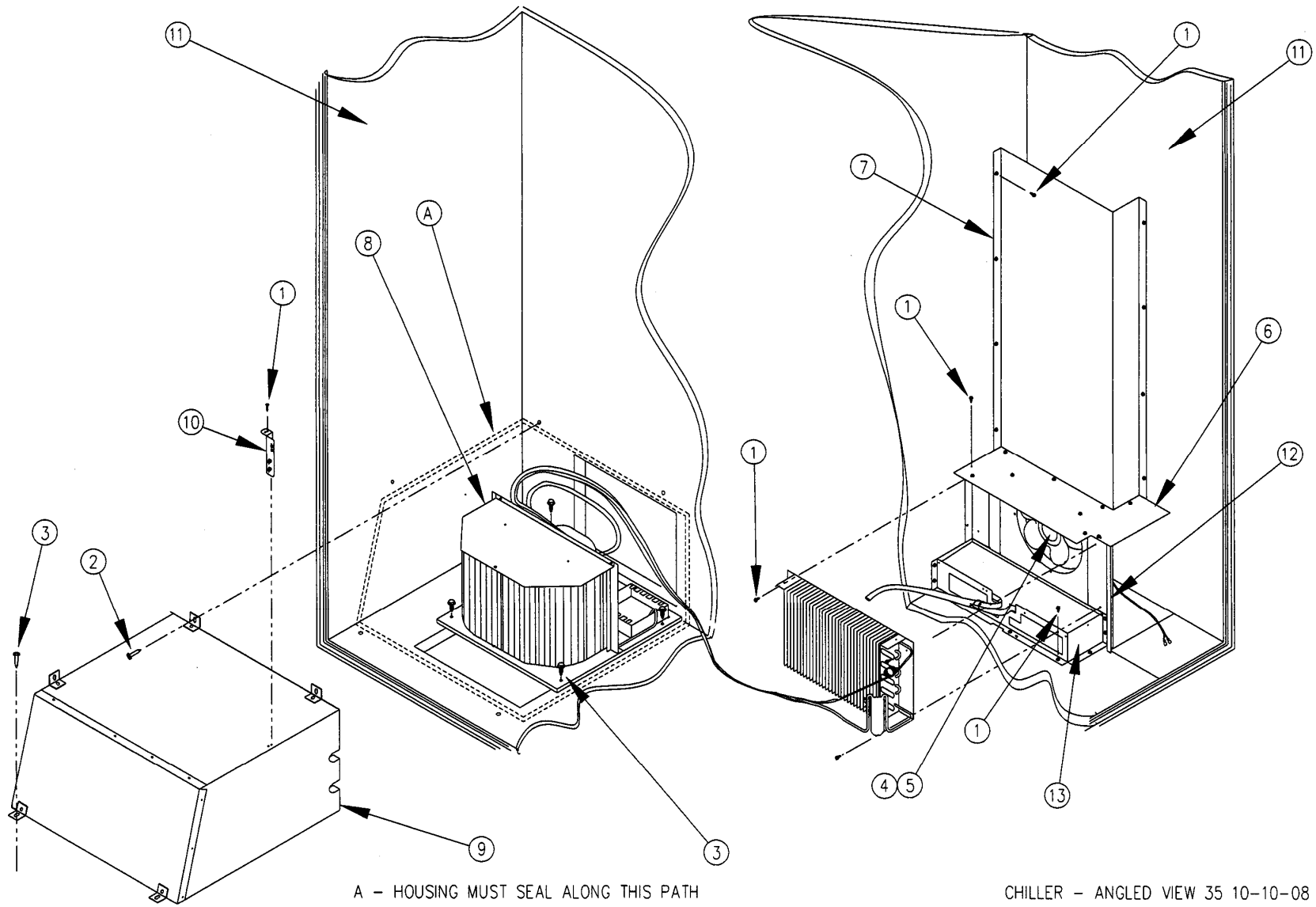
CABINET LEFT SIDE AND CENTER PARTS LIST				
INDEX NO.	PART NO.	PART NAME	QTY	NOTES
1	3000	Sheet Metal Screw TEK #8-18	54	
2	3007-06	Screw, 5/16-18, Type F	16	4 Per Leg
3	3017-10	Washer, #10 SAE Flat	2	For Door Stop Cable (2 Places)
4	3018	Sheet Metal Screw, 1/4"	3	For Lock Assembly
5	3057	Inlet, Panel Mount, IEC	1	Snapped Into Place at Rear of Cabinet
6	3060-10	Nut, 10-32, W/Nylon Insert	2	For Door Stop Cable (2 Places)
7	3061-06	Screw, 10-32 x 3/4 Phillips Pan Head	2	For Door Stop Cable (2 Places)
8	3067	Spacer, .192 ID x .125 Length x 3/8 Dia.	2	For Door Stop Cable (2 Places)
9	3113	Push Nut, 3/16" Stud	1	
10	20019	Leg, Roller Bracket	1	
11	20121	Leveling Leg	5	Cabinet To Be Leveled Using All Legs
12	20177	Roller, Molded (Nylon)	1	
13	20291	Cover Plate, Hinge Hole, Ver. 2	1	For Top Hinge
14	20321	Cover, IEC Inlet	1	For Shielding
15	20481	Extension, Left Vertical Rail Mount	1	
16	20608	Cover, Power Cord	1	For Power Cord Attachment to Vendor
17	21079	Cable Assembly, Door Stop, Modified	1	
18	21122	Assembly, Leg, Front Hinge With Thread Cover	1	
19	21123	Assembly, Leg, Left Front with Thread Covers	1	
20	21124	Assembly Leg, Rear with Thread Covers	2	
21	21250	Shaft, Headed Roller (Zinc Plated)	1	
22	21689	Rail Mount, Left Vertical VER 2 (3")	1	
23	21989	Assembly, Cabinet, LT/S (35")	1	S.N. 0076-1420-18 and After
24	23231	Shipping Board	2	40" Long, Not Treated, Left or Right Side
	23231-02	Shipping Board		38-3/8" Long, Not Treated, Left or Right Side
	23231-01	Shipping Board		40" Long, Treated (ISPM 15), Left or Right Side
	23231-03	Shipping Board		38-3/8" Long, Treated (ISPM 15), Left or Right Side
25	23305	Assembly, Low Temp/Snack Cabinet Lock	1	

CABINET RIGHT SIDE PARTS ILLUSTRATION



CABINET RIGHT SIDE PARTS LIST				
INDEX NO.	PART NO.	PART NAME	QTY	NOTES
1	3000	Sheet Metal Screw TEK #8-18	54	
2	3006-08	Nut, 8-32, Hex, Machine Screw	1	For Attaching Power Harness
3	3009-02	Rivet, Pop, Steel, 1/8 x 1/4 Grip Length	2	
4	3009-04	Rivet, Pop, Steel, 1/8 x 3/8" Grip Length	4	For Attaching 21479
5	3017-10	Washer, #10 SAE Flat	2	For Power Harness
6	3030	Filter, RFI	1	For Filtering Electrical Noise.
7	3031	Relay, Compressor	1	For 24V Control of Optional Chiller
8	3084-10	Screw, Sems, 8-32	1	For Power Harness
9	3133	Assembly, Fuse Holder With Fuses	1	Use P/N 3097 3AG Fast Blow Fuse Only
10	3158	Ballast, 230V 50Hz, 15 W (European)	1	
11	3191	Filter, RFI, CE Machines	1	For Filtering Electrical Noise
12	3257	Transformer, Class II, 120V / 24V	1	For Power
13	3258	Transformer, CE, 230V / 24V	1	For Power
14	3284	Switch, Rocker, On/Off	1	For 24VAC Circuit Control
15	20207	Cover Plate, Column, Fixed, Top and Bottom	2	
16	20211	Cover Plate, Transformer	1	
17	20213	Flange, Right Vertical	1	
18	20288	Harness, Ballast Assembly, 220V 50Hz	1	220V Single
19	20563	Harness, Ballast Assy 2	1	110V Single
20	20730	Harness, Ballast, Dual Lamp, 110VAC	1	
21	21053	Stiffener, Right Vertical Rail Mount	1	
22	21479	Plate, Fuse Holder, Socket And Power Switch Mount	1	Attached Inside of Rail Mount
23	21509	Decal, 24V Fuse, Ver. 2	1	
24	21989	Assembly, Cabinet, LT/S (35")	1	S.N. 0076-1420-18 and After
25	23724	Rail Mount, Right Vertical, Snack, (35")	1	

CHILLER PARTS ILLUSTRATION - ANGLED VIEW



A - HOUSING MUST SEAL ALONG THIS PATH

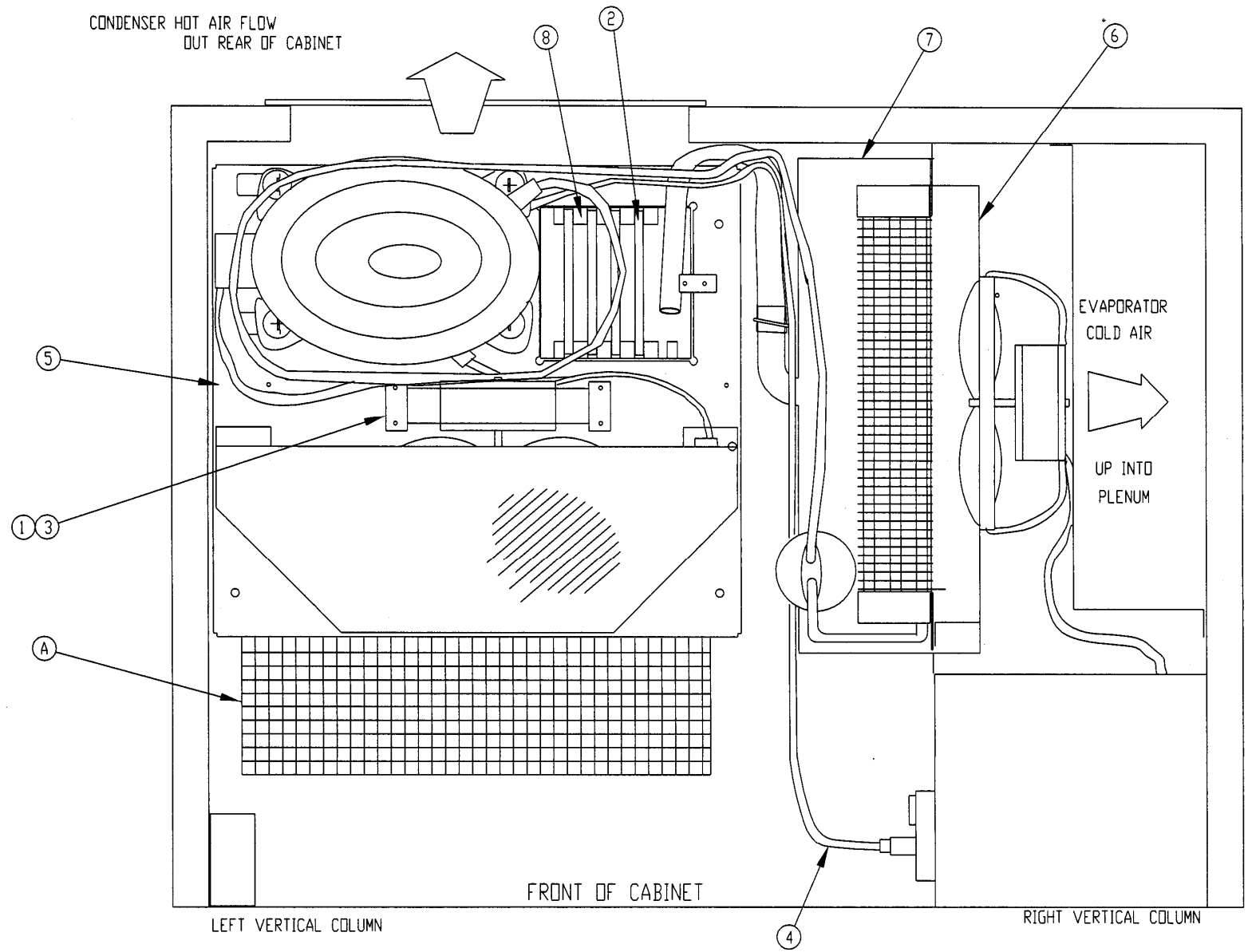
CHILLER - ANGLED VIEW 35 10-10-08

CHILLER PARTS LIST - ANGLED VIEW				
ITEM	PART NO	PART DESCRIPTION	QTY	NOTES
1	3000	Sheet Metal Screw TEK #8-18	46	
2	3018-06	Screws, ¼ x ¾, Self Tapping, Hex Head	2	For Attaching To Tank Walls
3	3018-08	Screws, ¼ x 1, Self Tapping, Hex Head	6	For Attaching To Tank Floor
4	3106	Evaporator Fan/Motor Assembly, 220V, 50Hz, 1 Phase	1	Note Voltage!
5	3107	Evaporator Fan/Motor Assembly, 110V, 60Hz, 1 Phase		
6	20316	Evaporator Cover Plate	1	
7	20317	Evaporator Plenum	1	
8	20530	Assembly, 1/4, Chiller, 120V	1	See Note
	20531	Assembly, 1/4, Chiller, 220V		See Note
9	21023	Housing, VER 2, Chiller (35")	1	
10	21424	Bracket, Temperature Sensor, Sensit II	1	
11	21989	Assembly, Cabinet, LT/S (35")		S.N. 0076-1420-18 and After
12	21991	Evaporator Mounting Panel, Stamped Drain Pan	1	For Stamped Pan Assemblies
13	21992	Assembly, Stamped Evaporator Drain Pan	1	Use with 21991, Evaporator Mounting Panel

NOTE: Chiller assemblies are charged with refrigerant and are replaceable only as an assembly. The refrigeration system is pressurized and sealed at the factory. Puncturing or cutting any component in the system will cause refrigerant gas and liquid to be propelled out of the system, creating an immediate physical hazard. Use caution to avoid accidentally opening the refrigerant system. It should also be noted that releasing refrigerant to the atmosphere is a federal crime and is punishable by law. Any service work requiring the system to be opened must be performed by a licensed technician using certified recovery equipment. Unauthorized service to the sealed refrigerant system may void the warranty.

Ambient snack merchandisers have no chillers or chiller parts. Ventilated merchandisers have a forced air system without any chiller.

CHILLER PARTS ILLUSTRATION - TOP VIEW

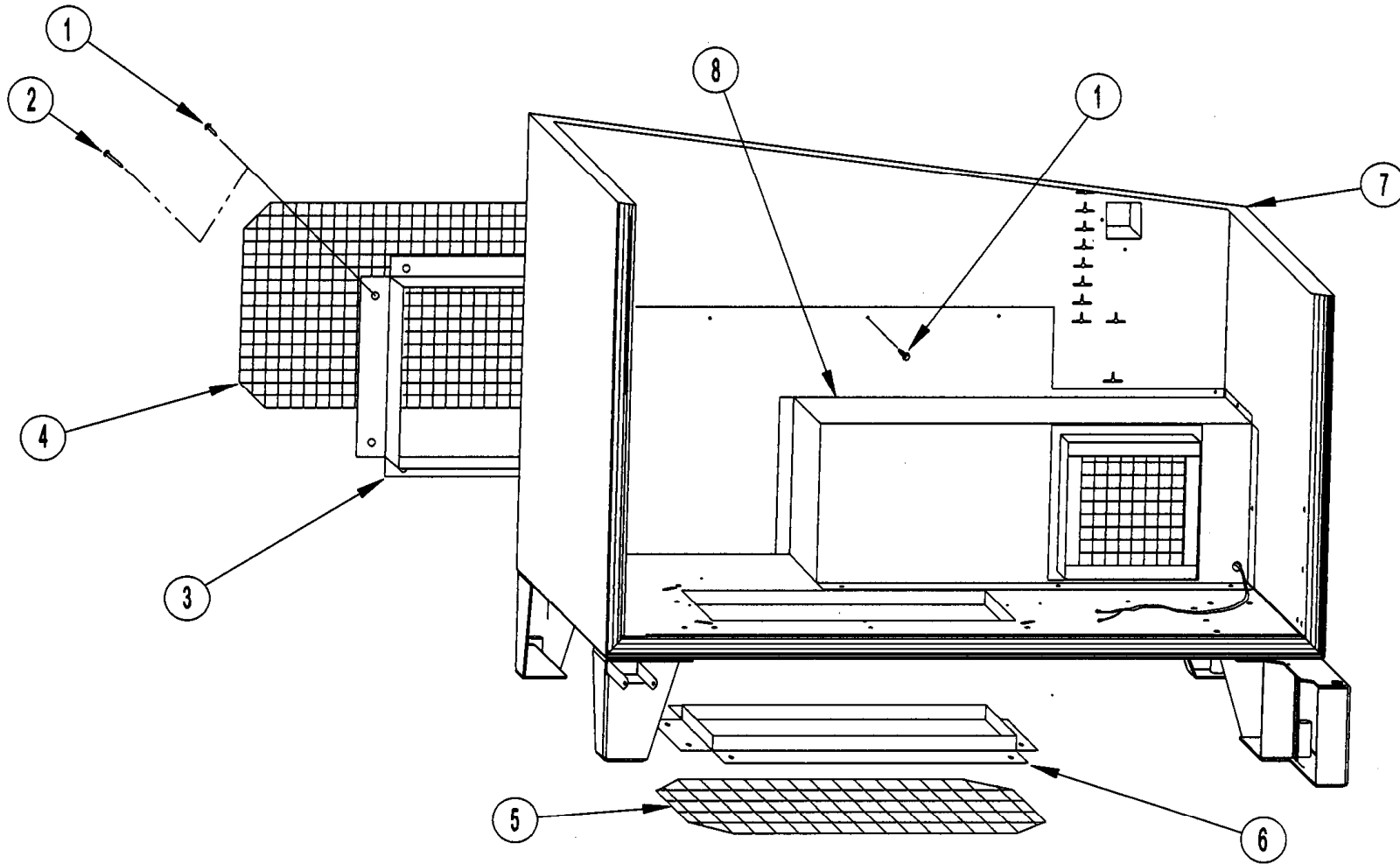


CHILLER PARTS LIST - TOP VIEW				
ITEM	PART NO	PART DESCRIPTION	QTY	NOTES (See Note A Below)
A	1	Condenser Air Inlet Screen Under Chiller	1	For Reference
1	3065	Fan, Condenser Assembly, 220V, 50Hz, 1 Phase	1	Note Voltage!
2	3093	Sponge (Condenser Drain Pan)	4	
3	3108	Fan, Condenser Assembly, 110V, 60Hz, 1 Phase	1	Note Voltage!
4	20144	Refrigeration Harness	1	Use With Both 110V or 220V Systems
5	20530	Assembly, 1/4 H.P. Chiller, 120V, VER 2, AMS (WV)	1	See Note
	20531	Assembly, 1/4 H.P. Chiller, 240V, VER 2, AMS (WV)		
6	21991	Evaporator Mounting Panel, Stamped Drain Pan	1	Used with Stamped Pan Assemblies
7	21992	Assembly, Stamped Evaporator Drain Pan	1	Use with 21991, Evaporator Mounting Panel
8	22048	Condenser Drain Pan, Formed	1	Stamped Fabrication

NOTE A: Chiller assemblies are charged with refrigerant and are replaceable only as an assembly. . The refrigeration system is pressurized and sealed at the factory. Puncturing or cutting any component in the system will cause refrigerant gas and liquid to be propelled out of the system, creating an immediate physical hazard. Use caution to avoid accidentally opening the refrigerant system. It should also be noted that releasing refrigerant to the atmosphere is a federal crime and is punishable by law. Any service work requiring the system to be opened must be performed by a licensed technician using certified recovery equipment. Unauthorized service to the sealed refrigerant system may void the warranty.

Ambient snack merchandisers have no chillers or chiller parts. Ventilated merchandisers have a forced air system without any chiller.

CHILLER OPTION - VENTILATED CABINET ILLUSTRATION



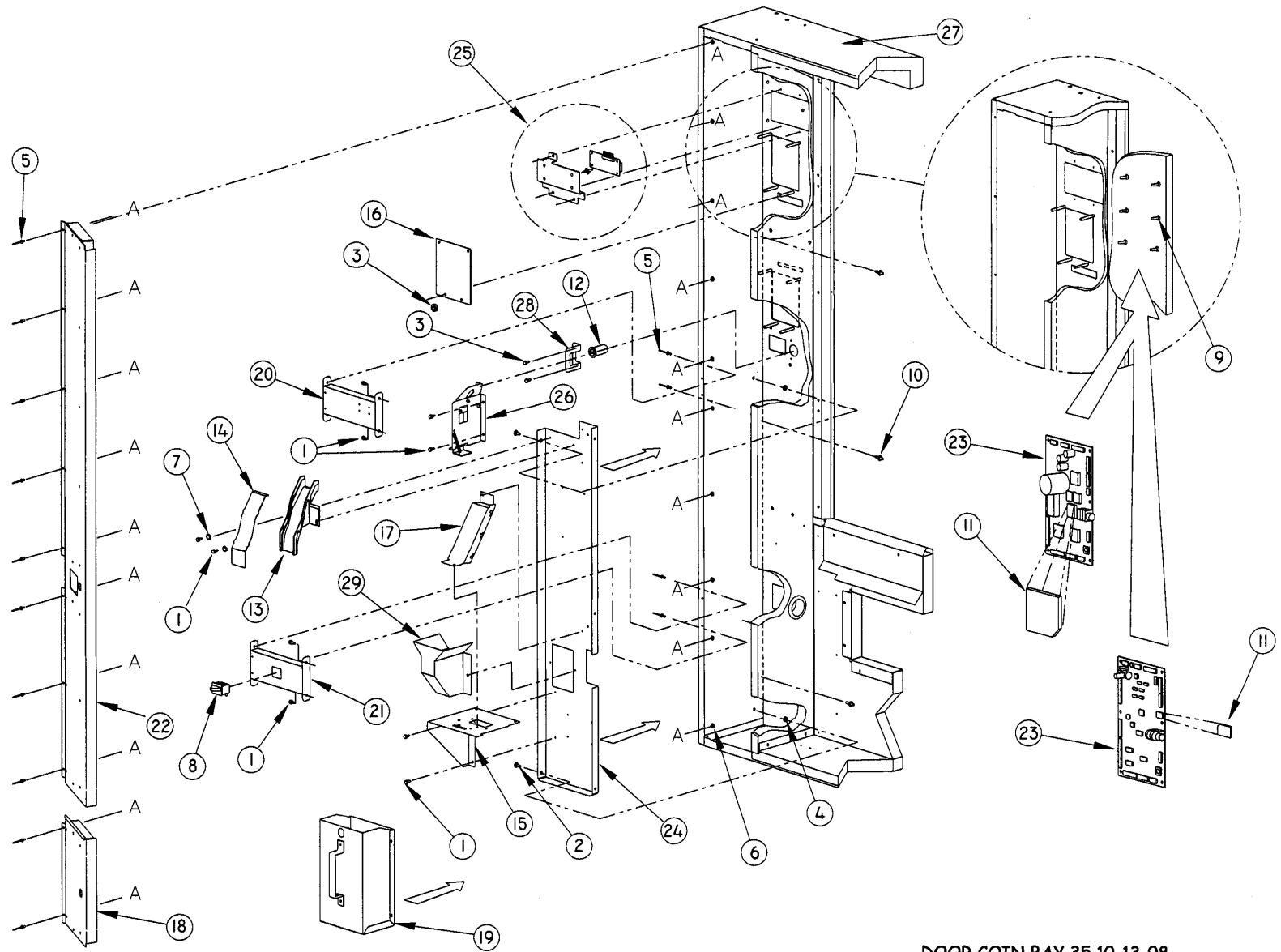
CHILLER OPTION - VENTILATED CABINET 35 10-27-08

CHILLER OPTION - VENTILATED CABINET PARTS LIST				
ITEM	PART NO.	PART DESCRIPTION	QTY	NOTES
1	3000	Screw, Sheet Metal, TEK 8-18	16	Qty For Two Trim Parts
			12	Qty For Ventilator Assembly
2	3000-06	Screw, Sheet Metal, TEK 8-18	8	Replace Item 1 For Rear Trim only When Option P/N 21308 is Installed
3	20275	Trim, Chiller Hole	1	35" and 39" use same rear trim.
4	20600	Screen, Rear, Insect (39") Aluminum 18x16 Mesh	1	35" and 39" use same rear screen.
	21040	Screen, Rear Chiller Hole, 8 Mesh (1/4" X 1/4")		35" and 39" use same rear screen.
	21308	Screen, Expanded Metal, Rear Chiller Hole (39")	1	35" and 39" use same option. Add to other rear screens. For Mexico.
5	21463	Screen, Bottom Chiller Hole, (35") 8 Mesh, VER 2	1	
	21469	Screen, Bottom, Insect (35"), VER 2 Aluminum 18x16 Mesh		
6	21464	Trim, Bottom Chiller Hole (35") VER 2	1	
7	21989	Assembly, Cabinet, Low Temp and Snack (35")	1	Tank is Inside, Wrapper is Outside
8	23303	Assembly, Ventilator, Ver. 3, (35") 110V	1	

General Note: The rear opening and the bottom opening are not the same size on 35" Cabinets (ECN 1770). All screen materials are fitted to trim parts, and trim parts are attached to the outside of the cabinet with screws. The combination of screens may differ. Covers are not used. Cabinet is shown without any other parts.

Ambient snack merchandisers have no chillers or chiller parts. Chiller units provide refrigeration in the cabinet.

DOOR COIN BAY ILLUSTRATION



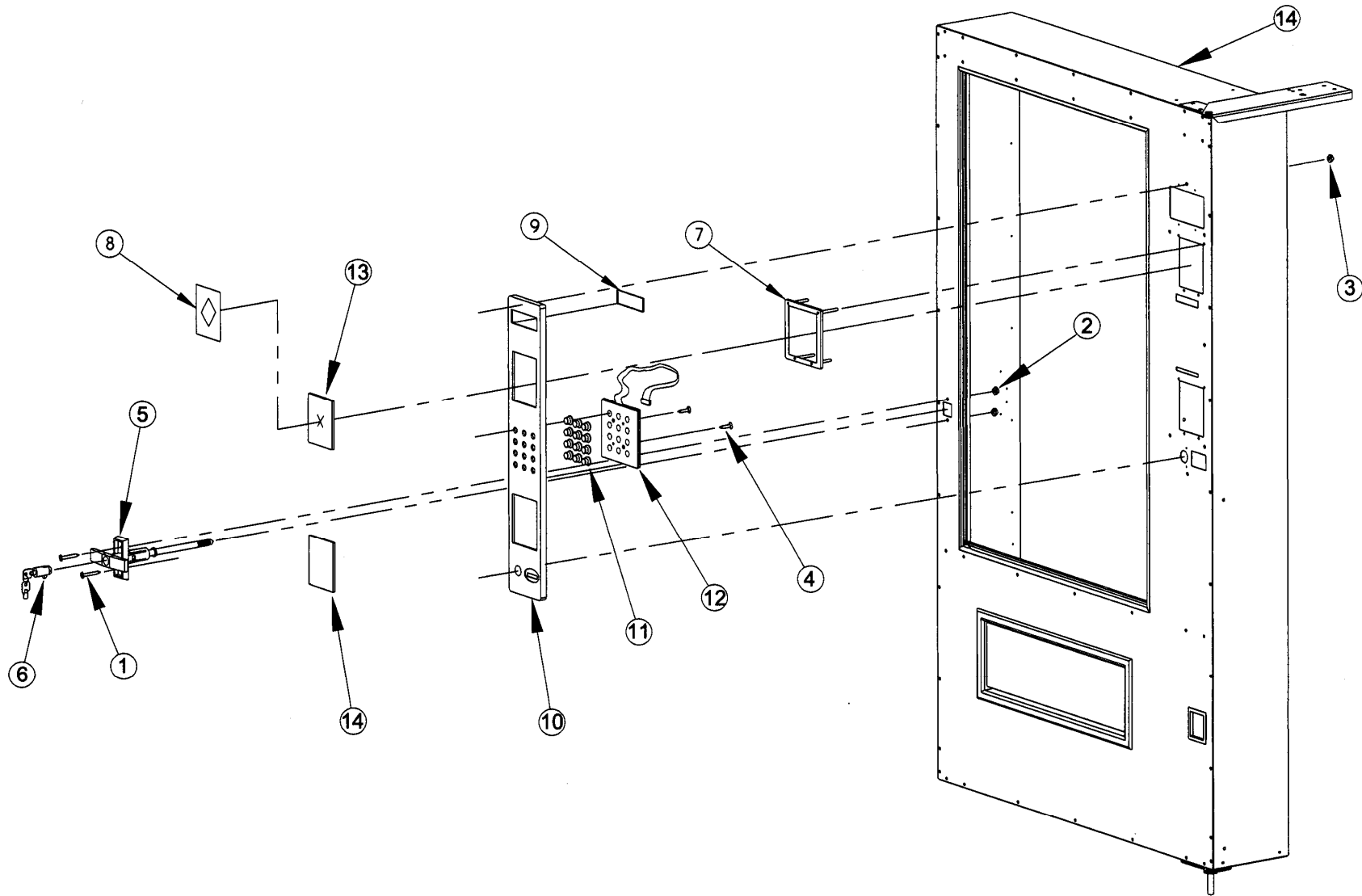
DOOR COIN BAY 35 10-13-08

DOOR COIN BAY PARTS LIST				
INDEX NO.	PART NO.	PART NAME	QTY	NOTE
1	3000	Screw, Sheet Metal TEK 8-18	18	
2	3005-04	Carriage Bolt, #10-24, 1/2"	5	
3	3006-08	Nut, Hex, Machine Screw, #8-32	8	4 per DBV Opening
4	3006-10	Nut, Hex, Machine Screw, #10-24	5	
5	3009-04	Rivet, Steel, 1/8", Black, 3/8"-Grip Length 1/4"	12	
6	3017-06	Washer, Flat Steel, SAE Std., #6 Screw 5/32	10	
7	3017-10	Washer, Flat Steel, SAE Std., #10 Screw 7/32 X 1/2	2	
8	3036	Switch, Panel Mount Rocker	1	Switch, N.C.
9	3037-1	PC Board Support (3/16")	6	For Control Board
10	3038	Rivet, Nylon, Trim	5	
11	3248	Program Chip, Snack, Sensit II	1	For Sensit II.
	3425	Program Chip, Snack, Sensit 3		For Sensit 3.
12	20081	Scavenger Button	1	
13	20099	Coin Chute, Insert	1	
14	20100	Coin Chute Cover	1	
15	20129	Coin Box Bulkhead	1	
16	20181	DBV Cover Plate	2	Flat Steel Plate, 1 per DBV Opening
17	20339	Assembly, Coin Chute	1	
18	20343	Coin Door Assembly, Lower	1	
19	20526	Assembly, Coin Box	1	
20	20706	Door Stiffener, Upper, Without Fuse And Switch	1	
	20709	Door Stiffener, Upper, Locking, W/O Fuse And Switch		Not Shown
21	20707	Door Stiffener, Bottom With Switch	1	
22	20752	Assembly, Coin Door, Upper (51")	1	
23	21342	Control Board, Sensit II	1	Use Only For SII
	23021	Control Board, Sensit 3		Use Only For S3
24	22171	Mounting Panel, Changer, Multi-Use	1	
25	22305	Assembly, Display, VER 3, Escutcheon, Sensit II	1	Contains display board
26	22343	Assembly, Scavenger System, VER. 2, Plastic Escutcheon	1	

27	22352	Assy., Foamed Door, Snack, 1-1/8" Cu. Ft. Hopper, 35"	1	Contact AMS for your application.
	23197	Assy., Foamed Door, Exec., Snack, 1-1/8" Cu. Ft. Hopper, 35"		
	22355	Assy., Foamed Door, Covered Window , Snack, 1-1/8" Cu. Ft. Hopper, 35"		
	23726	Assy., Foamed Door, AVP Lock Side, Covered Window , Lock Cover, Trim, Snack, 1-1/8" Cu. Ft. Hopper, 35"		
28	22367	Scavenger Stop Bracket, Plastic Escutcheon	1	
29	23373	Assembly, Plastic Coin Cup	1	

THIS PAGE INTENTIONALLY LEFT BLANK

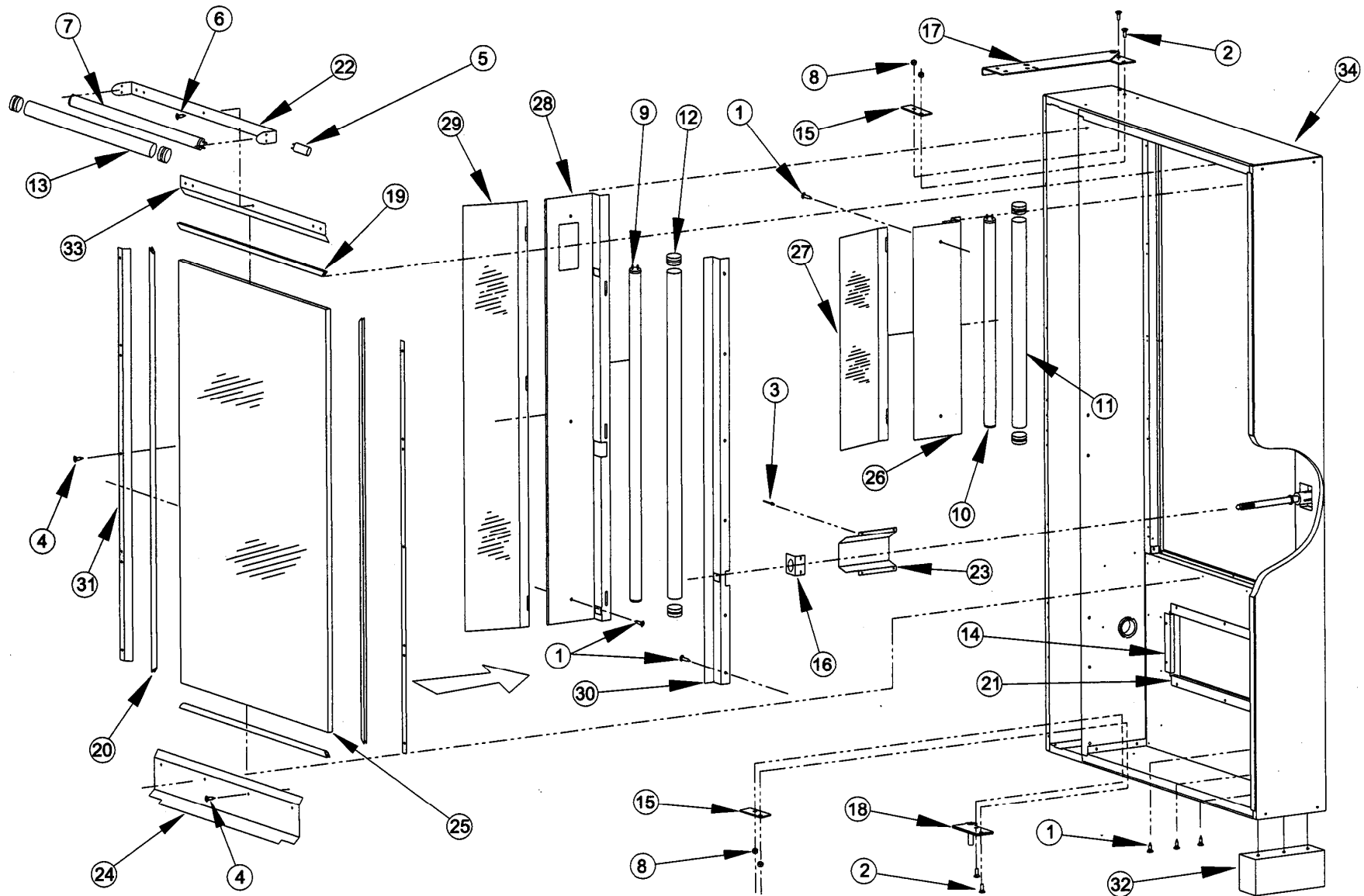
DOOR, EXTERNAL PARTS ILLUSTRATION



DOOR, EXTERNAL PARTS, 35, 10-13-08

DOOR, EXTERNAL PARTS LIST				
ITEM	PART NO.	PART NAME	QTY.	NOTE
1	3005-04	Carriage Bolt, #10-24, 1/2" Long	2	For Securing T-handle
2	3006-10	Nut, Hex, Machine Screw, #10-24	2	For Securing T-handle
3	3011	Self Threading Nut, 1/4" Stud	8	For Securing Escutcheon
4	3289-02	Screw, Type B, #8, Pan Head, Phillips #2	2	For Securing Keypad
5	20130	T-Lock Assembly	1	
6	20131	Lockset And Keys	1	
7	20344	Assembly, DBV Mounting Bezel	2	
8	20471	Decal, Guaranteed Delivery	1	Optional Item
9	22175	Lens, Escutcheon, GFM, VER 2	1	
10	22176	Assembly, GFM Escutcheon, Numeric	1	Assembly is broken down in this list
11	22177	Button, 0.90" Dia. Round, Escutcheon	12	12 Key Escutcheon
12	22179	Keypad, Membrane, 3x4,GFM	1	12 Key Escutcheon
13	22184	Cover, DBV, Plastic Escutcheon, Ver 2.	2	Optional Item
14	22352	Assy., Foamed Door, Snack, 1-1/8" Cu. Ft. Hopper, 35"	1	Contact AMS for your application.
	23197	Assy., Foamed Door, Exec., Snack, 1-1/8" Cu. Ft. Hopper, 35"		
	22355	Assy., Foamed Door, Covered Window , Snack, 1-1/8" Cu. Ft. Hopper, 35"		
	23726	Assy., Foamed Door, AVP Lock Side, Covered Window , Lock Cover, Trim, Snack, 1-1/8" Cu. Ft. Hopper, 35"		

DOOR HINGES, GLASS AND FLOURESCENT LAMPS ILLUSTRATION



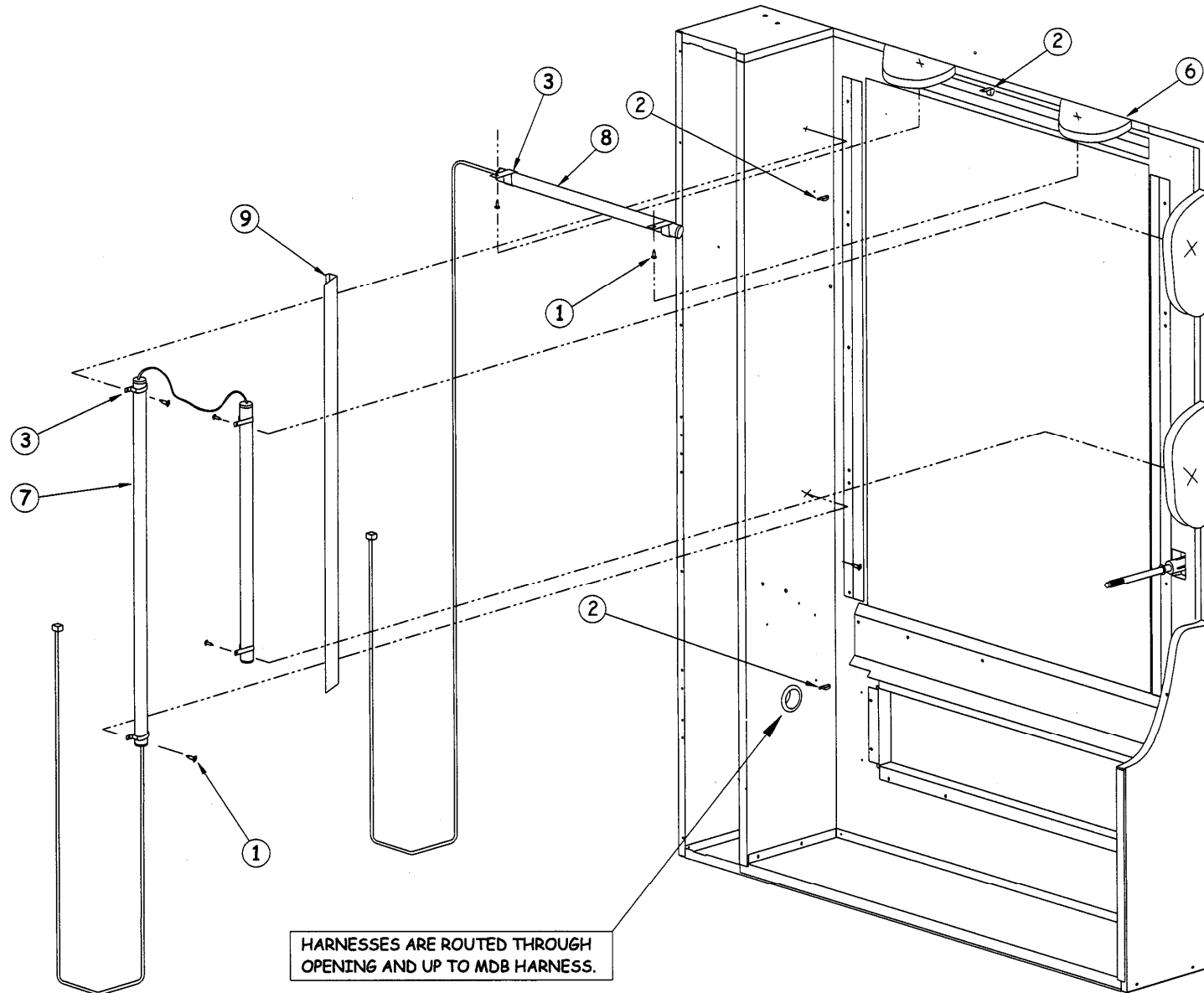
DOOR HINGES, GLASS, AND FLOURESCENT LAMPS 35 10-15-08

DOOR HINGES, GLASS AND FLOURESCENT LAMPS PARTS LIST				
ITEM NO.	PART NO.	PART DESCRIPTION	QTY.	NOTE
1	3000	Screw, TEK 8-18	14	
2	3004-06	Carriage Bolt, 1/4-20, 3/4"	4	
3	3009-02	Rivet, Pop, Steel, 1/8 Diameter	4	
4	3018-06	Screw, 1/4 X 3/4, Self Tapping, Hex Head	20	For Glass Retainers
5	3056	Starter, FS2	1	For Single Fluorescent Lamp , 110V
	3163	Starter, S10		For Single Fluorescent Lamp , 230V, 50 Hz.
6	3072-06	Screw, Machine, #4-36 (3/4" Long)	3	For Single Fluorescent Lamp, 110V
7	3105	Fluorescent Lamp, 18", 1" Diameter	1	For Single Fluorescent Lamp, 110V
8	3153-11	Nut, Hex With Lock Washer	4	
9	3202	Fluorescent Lamp, 25W, F025/841	1	For Dual Fluorescent Lamp Option
10	3203	Fluorescent Lamp, 17W, F017/841	1	For Dual Fluorescent Lamp Option
11	3234	Lamp Cover, T8, 24", Clear, With End Caps	1	For Dual Fluorescent Lamp Option
12	3240	Lamp Cover, T8, 36", Clear, With End Caps	1	For Dual Fluorescent Lamp Option
13	3279	Lamp Cover, T8, 18", Clear, With End Caps	1	For Single Fluorescent Lamp Option
14	20092	Retainer, Vertical Eyelet (35")	2	
15	20206	Hinge, Washer Plate	2	
16	20244	Lock Bolt Mounting Bracket	1	
17	20302	Assembly, Hinge, Top (Black), Door	1	
18	20303	Assembly, Hinge Bottom, Door	1	
19	20330-05	Trim, Extruded Edge, 21.32 (Required for Glass),.	2	Horizontal, Use with Glass
	20550-01	Trim, Polycarbonate, Window (35")		Horizontal, For Polycarbonate (21.7")
20	20330-06	Trim, Extruded Edge, 41.00 (Required For Glass), Vertical	2	Vertical, Use with Glass
	20550-02	Trim, Polycarbonate, Window (35")		Vertical, for Polycarbonate Windows (41.3")
21	20401	Retainer, Horizontal Eyelet (35")	2	
22	20417	Lamp Mtg. Bracket (35")	1	For Single Fluorescent Lamp, 110V
23	20447	Lock Bolt Cover	1	For Snack
24	20513	Retainer, Polycarbonate Window, Bottom Ver. 3 (35")	1	
	21215	Retainer, Glass Window, 1/8" Thick, Bottom (35")		
25	20533	(1/8") Window, Polycarbonate (35")	1	For 1/8" Single Pane Polycarbonate Window
	20596	(3/16") Window, Polycarbonate (35")		For 3/16" Single Pane Polycarbonate Window

	21217	Window, Glass Window, 1/8" Thick (35")	1	For 1/8" Single Pane Glass Window
26	20733-01	Lamp Bracket, 24" Vertical	1	For Dual Fluorescent Lamp Option
27	20734	Lamp Cover, 24" Vertical	1	Clear Polycarbonate, For Dual Lamp
28	21012	Lamp Bracket, 36" Vertical, Snack	1	For Dual Fluorescent Lamp Option
29	21013	Lamp Cover, 36" Vertical, Snack	1	Clear Polycarbonate, For Dual Lamp
30	21051	Tray Restraint, Snack, Reduced Depth	1	
31	21057	Retainer, 41" Glass Window, 1/8" Thick, Vertical, Vert. 2	1	For Dual Fluorescent Lamp Option
	21211	Retainer, 41" Glass Window, 1/8" Thick, Vertical		
32	21165	Assembly, False Leg	1	Install When Vendor is Installed on Site
33	21214	Retainer, Glass Window, 1/8" Thick, Top (35")	1	
34	22352	Assy., Foamed Door, Snack, 1-1/8" Cu. Ft. Hopper, 35"	1	Contact AMS for your application.
	23197	Assy., Foamed Door, Exec., Snack, 1-1/8" Cu. Ft. Hopper, 35"		
	22355	Assy., Foamed Door, Covered Window , Snack, 1-1/8" Cu. Ft. Hopper, 35"		
	23726	Assy., Foamed Door, AVP Lock Side, Covered Window , Lock Cover, Trim, Snack, 1-1/8" Cu. Ft. Hopper, 35"		

THIS PAGE INTENTIONALLY LEFT BLANK

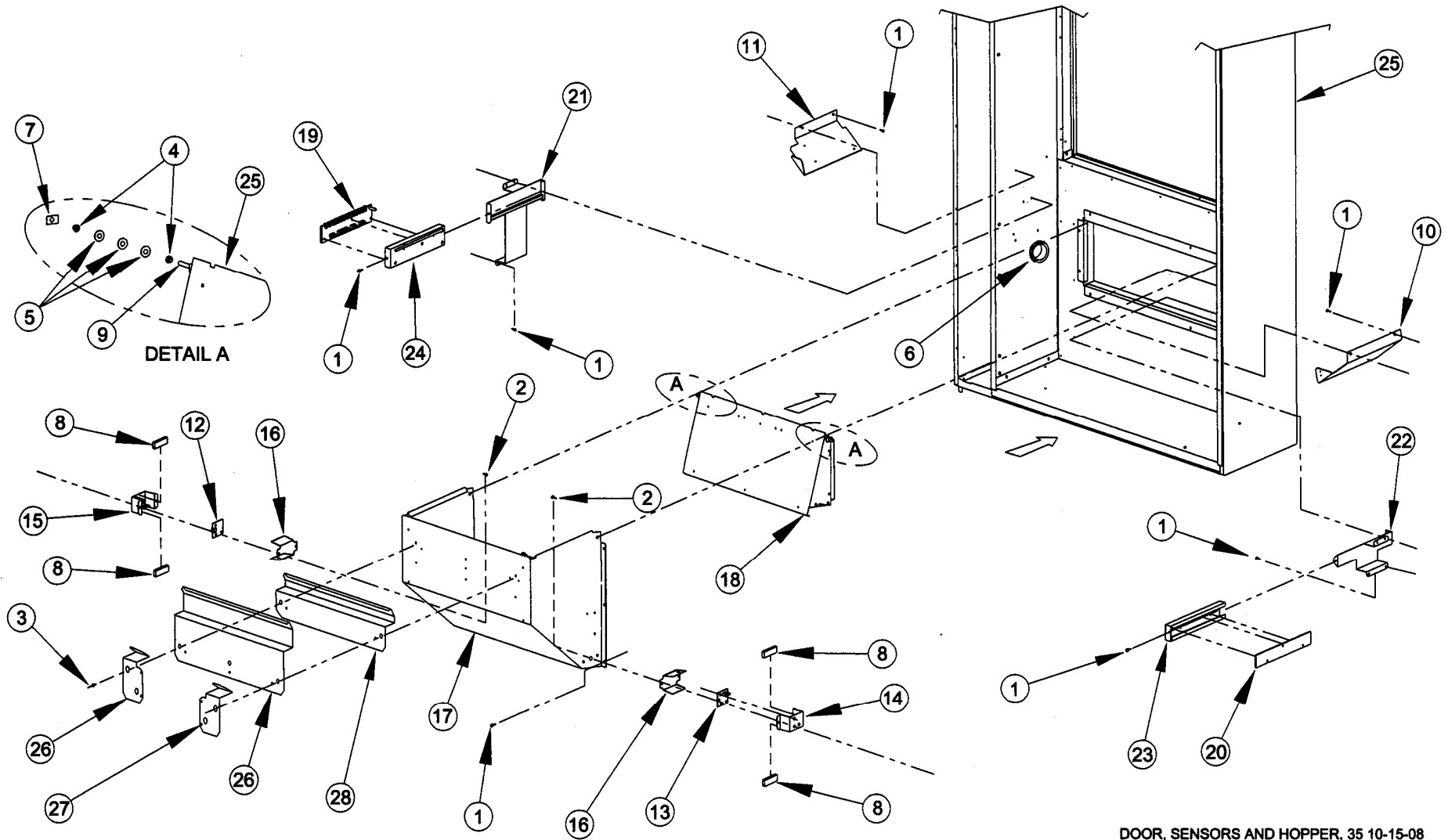
DOOR, OPTIONAL LED LAMP ILLUSTRATION



DOOR, OPTIONAL LED LAMP PARTS LIST					
ITEM NO.	PART NO.	PART DESCRIPTION	QTY FOR SINGLE	QTY FOR DUAL	NOTE
1	3000	Screw, TEK 8-18	5	8	
2	3024-06	Cable Clamp, Black, Nylon	3	3	For Securing Harness
3	3024-16	Cable Clamp, Black, Nylon	2	5	For Securing Lamps
4	20156-01	Harness, Ground	1	1	In Electrical Panel - Not Shown
5	20158	Harness, Multi-Drop Bus (MDB)	1	1	At Control Board - Not Shown
6	22352	Assy., Foamed Door, Snack, 1-1/8" Cu. Ft. Hopper, 35"	1		Contact AMS for your application.
	23197	Assy., Foamed Door, Exec., Snack, 1-1/8" Cu. Ft. Hopper, 35"			
	22355	Assy., Foamed Door, Covered Window , Snack, 1-1/8" Cu. Ft. Hopper, 35"			
	23726	Assy., Foamed Door, AVP Lock Side, Covered Window , Lock Cover, Trim, Snack, 1-1/8" Cu. Ft. Hopper, 35"			
7	23521	Lamp, LED, 42", Vertical	0	1	Lamps Have Integral Harness
8	23522	Lamp. LED, 24"	1	1	Lamps Have Integral Harness
9	23561	Lamp Visor, LED, Vertical, Snack	0	1	
10	23624	Harness, Transformer, No Ballast	1	1	In Electrical Panel - Not Shown

The LED lamp options may not have been contracted for and installed on your vendor.

DOOR, SENSOR SYSTEM AND HOPPER ILLUSTRATION



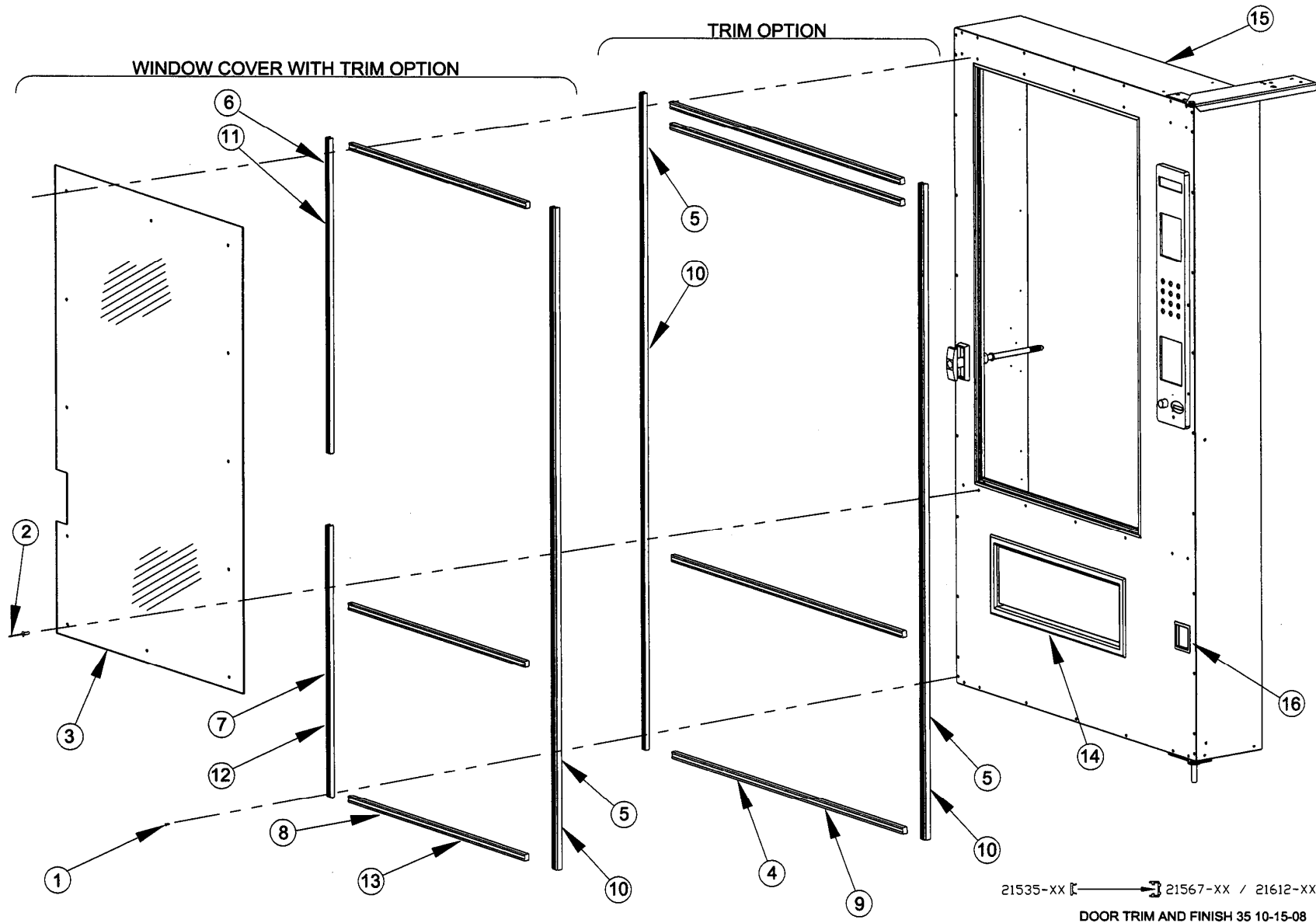
DOOR, SENSOR SYSTEM AND HOPPER PARTS LIST				
ITEM	PART NO.	PART DESCRIPTION	QTY.	NOTE
1	3000	Screw, TEK 8-18	24	
2	3002-04	Screw, Machine, Type F, 8-32	4	¾" Long, Self-Tap, Phillips, Round Head
3	3009-04	Rivet, Pop, Steel, 1/8 x 1/4 Grip	8	
4	3015	Bearing, Nyliner Snap-In	4	
5	3017-10	Washer, Flat Steel, SAE Std. , #10 Screw 7/32 X ½	6	
6	3025-24	Grommet, Rubber, 1-1/2 ID x (1-3/4 OD X .062 Groove)	1	Harness Pass-Through
7	3113	Pushnut, 3/16" Stud	2	
8	3237	Tape, 3/8" X 1/4" Urethane Foam	4	1-5/8" Long Each Piece
9	20108	Vend Door, Shaft (39")	1	
10	20247	Product Kicker, Left	1	(Left Hand When Facing Front Of Door)
11	20248	Product Kicker Right	1	
12	21385	Detector, Product Sensor, Sensit II	1	
13	21386	Emitter, Product Sensor, Sensit II	1	
14	21442	Assembly, Product Sensor Emitter Bracket, Sensit II	1	
15	21443	Assembly, Product Sensor Detector Bracket, Sensit II	1	
16	21613	Lens, Product Sensor Bracket, Sensit II	2	
17	21940	Assembly, Vend Hopper, Low Temp (35")	1	
18	21948	Assembly, Vend Door, Low Temp (35")	1	
19	22120	Sensor Board, Primary, Sensit II	1	
20	22121	Sensor Board, Secondary, Sensit II	1	
21	22124	Assembly, Primary Delivery Sensor Bracket, Sensit II	1	
22	22126	Assembly, Secondary Delivery Sensor Bracket, Sensit II	1	
23	22128	Assembly, Secondary Delivery Sensor Cover, Sensit II	1	
24	22130	Assembly, Primary Delivery Sensor Cover, Sensit II	1	
25	22352	Assy., Foamed Door, Snack, 1-1/8" Cu. Ft. Hopper, 35"	1	Contact AMS for your application.
	23197	Assy., Foamed Door, Exec., Snack, 1-1/8" Cu. Ft. Hopper, 35"		
	22355	Assy., Foamed Door, Covered Window , Snack, 1-1/8" Cu. Ft. Hopper, 35"		
	23726	Assy., Foamed Door, AVP Lock Side, Covered Window , Lock Cover, Trim, Snack, 1-1/8" Cu. Ft. Hopper, 35"		
26	22387	Deflector Plate, 1.5" Helix Tray, RH	1	Rivet to Hopper For 1.5" Helix Tray

27	22387-01	Deflector Plate, 1.5" Helix Tray, LH	1	
28	22388	Deflector Plate, 2.25" Height, 1-1/8 CU. FT. Hopper (35")	1	Rivet to Hopper in place of 21609 or 22389
29	22389	Deflector Plate, 2.71" Height, 1-1/8 CU. FT. Hopper (35")	1	Rivet to Hopper in place of 21609 or 22388

The product sensor option may not have been contracted for and installed on your vendor.

THIS PAGE INTENTIONALLY LEFT BLANK

DOOR, TRIM AND FINISH PARTS ILLUSTRATION



21535-XX [arrow] 21567-XX / 21612-XX

DOOR TRIM AND FINISH 35 10-15-08

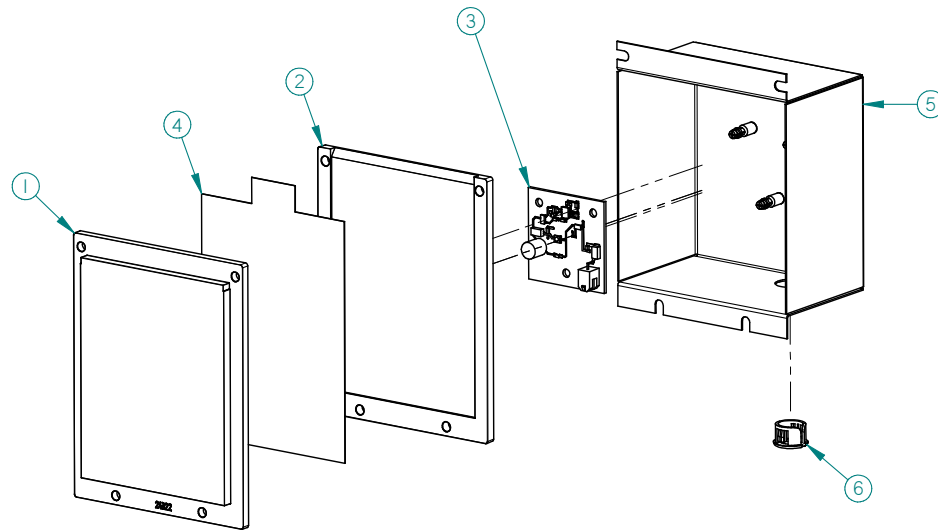
DOOR, TRIM AND FINISH PARTS LIST				
ITEM	PART NO.	PART NAME	QTY.	NOTE
1	3000	Screw, Sheet metal, TEK 8-18	28	For Securing Trim
2	3172-02	Rivet, Aluminum, 1/4" Diameter, Natural (1/4" Grip)	15	For Securing Window Covers
3	20547	Window Cover, Polycarbonate (39"), .110 Thick	1	MR-10 Scratch Resistant
	20547-01	Window Cover, Polycarbonate (39"), .180 Thick		
	20547-02	Window Cover, Polycarbonate (39"), .234 Thick		
	20547-03	Window Cover, Polycarbonate (39"), .234 Thick		
4	21535-02	Trim, Plastic Insert, For Recessed Base (31.9")	4	Snaps into Trim Base
5	21535-03	Trim, Plastic Insert, For Recessed Base (65.1")	1	Snaps into Trim Base
6	21535-06	Trim, Plastic Insert, For Recessed Base (30.2")	1	Snaps into Trim Base
7	21535-07	Trim, Plastic Insert, For Recessed Base (29.4")	1	Snaps into Trim Base
8	21535-08	Trim, Plastic Insert, For Recessed Base (23.9")	3	Snaps into Trim Base
9	21567-02	Recessed Trim Base With Holes	4	Natural Aluminum Finish
	21612-02	Recessed Trim Base With Holes, Painted		Black Paint Finish
10	21567-03	Recessed Trim Base With Holes	1	Natural Aluminum Finish
	21612-03	Recessed Trim Base With Holes, Painted		Black Paint Finish
11	21567-06	Recessed Trim Base With Holes	1	Natural Aluminum Finish
	21612-06	Recessed Trim Base With Holes, Painted		Black Paint Finish
12	21567-07	Recessed Trim Base With Holes	1	Natural Aluminum Finish
	21612-07	Recessed Trim Base With Holes, Painted		Black Paint Finish
13	21567-08	Recessed Trim Base With Holes	3	Natural Aluminum Finish
	21612-08	Recessed Trim Base With Holes, Painted		Black Paint Finish
14	21624	Trim, Vend Eyelet	1	
15	22352	Assy., Foamed Door, Snack, 1-1/8" Cu. Ft. Hopper, 35"	1	Contact AMS for your application.
	23197	Assy., Foamed Door, Exec., Snack, 1-1/8" Cu. Ft. Hopper, 35"		
	22355	Assy., Foamed Door, Covered Window , Snack, 1-1/8" Cu. Ft. Hopper, 35"		

	23726	Assy., Foamed Door, AVP Lock Side, Covered Window , Lock Cover, Trim, Snack, 1-1/8" Cu. Ft. Hopper, 35"		
16	23372	Trim, Plastic Coin Cup	1	

Note: Trim Packages, Window Cover Packages and other options contracted for and installed at AMS may not apply to your vendor.

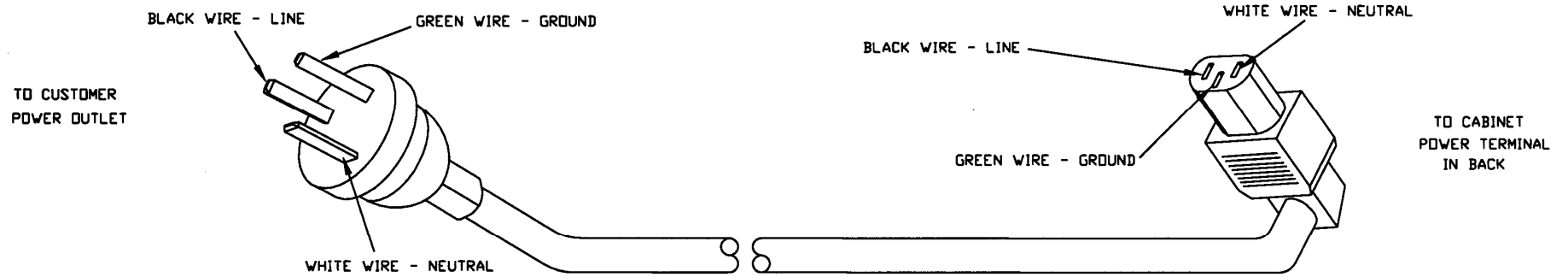
THIS PAGE INTENTIONALLY LEFT BLANK

POS DISPLAY ILLUSTRATION

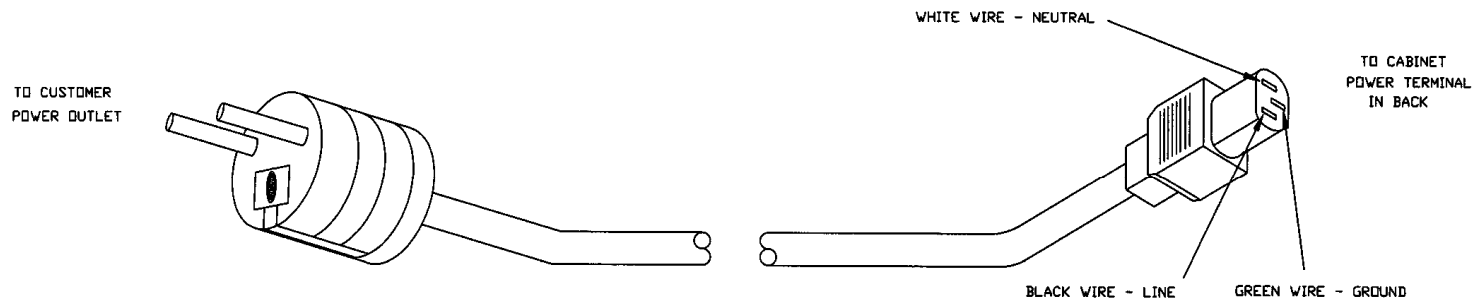


POS DISPLAY PARTS LIST			
ITEM	PART NO.	PART DESCRIPTION	NOTE
1	24322	POS DISPLAY INSERT	
2	24323	POS DISPLAY DIFFUSER	
3	24329	LED BOARD	
4	24330	POS DISPLAY CARD (AMS)	ENGLISH
	24457	POS DISPLAY CARD (IAMS)	SPANISH
5	24339	LIGHT BOX ASSEMBLY	
6	3029-02	BUSHING	

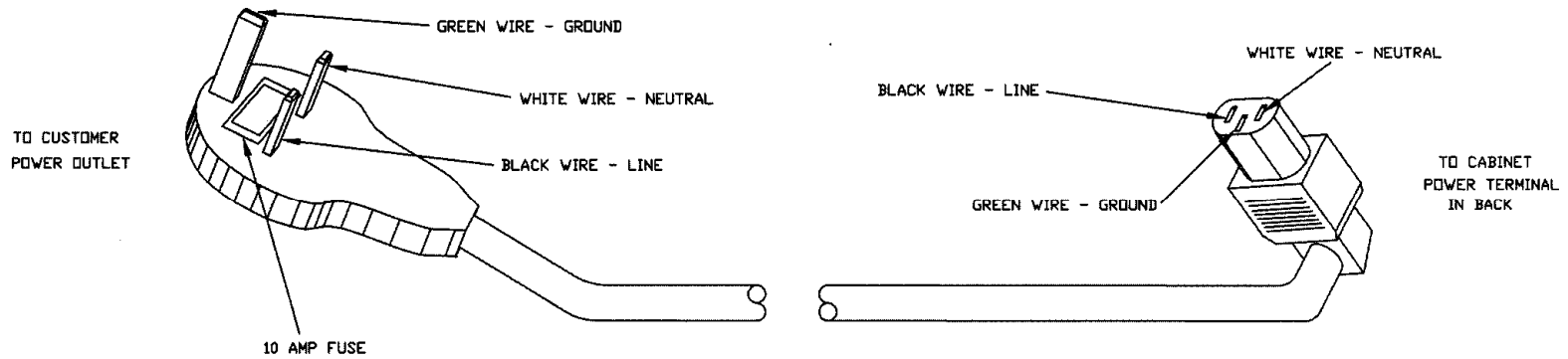
ELECTRICAL HARNESS ILLUSTRATIONS



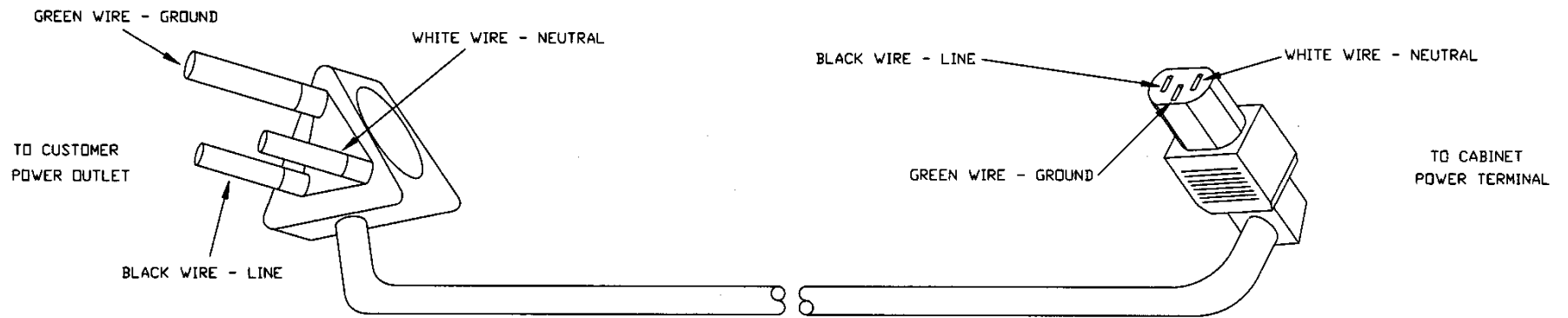
3173, POWER CORD, AUSTRALIA



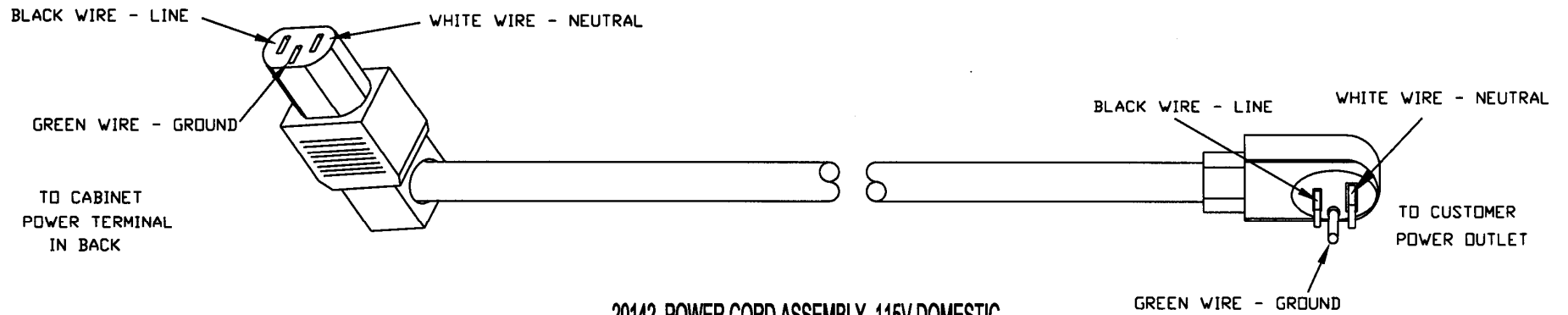
3193, POWER CORD, CONTINENTAL EUROPE



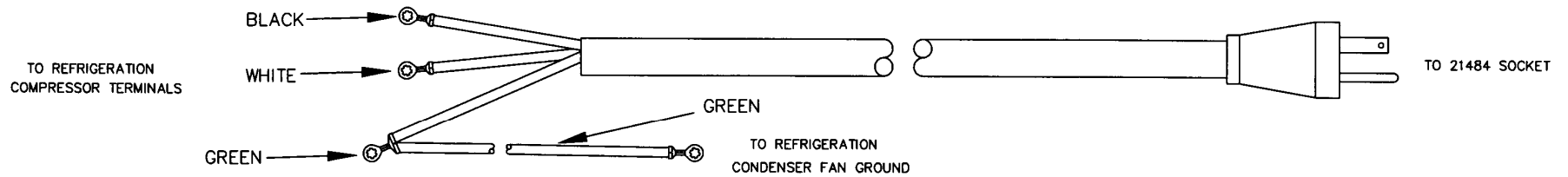
3194, POWER CORD, U.K. & IRELAND



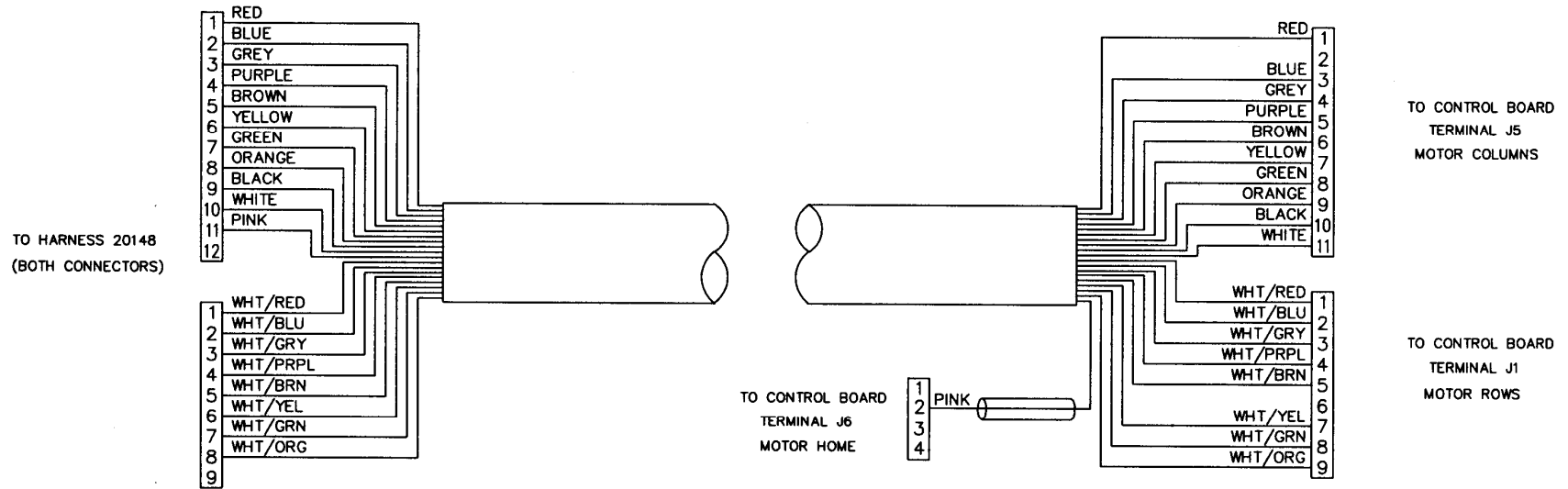
3208 POWER CORD, INDIA AND SOUTH AFRICA



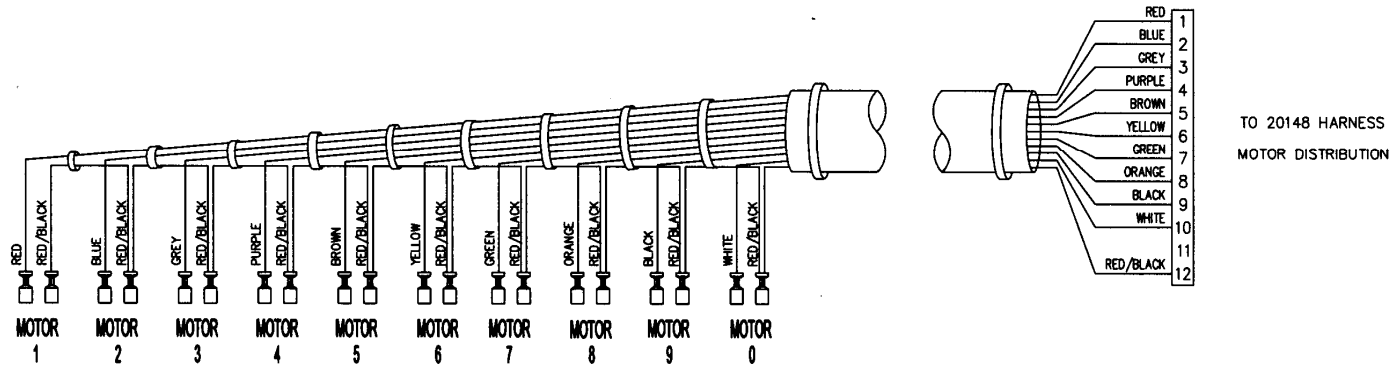
20142, POWER CORD ASSEMBLY, 115V DOMESTIC



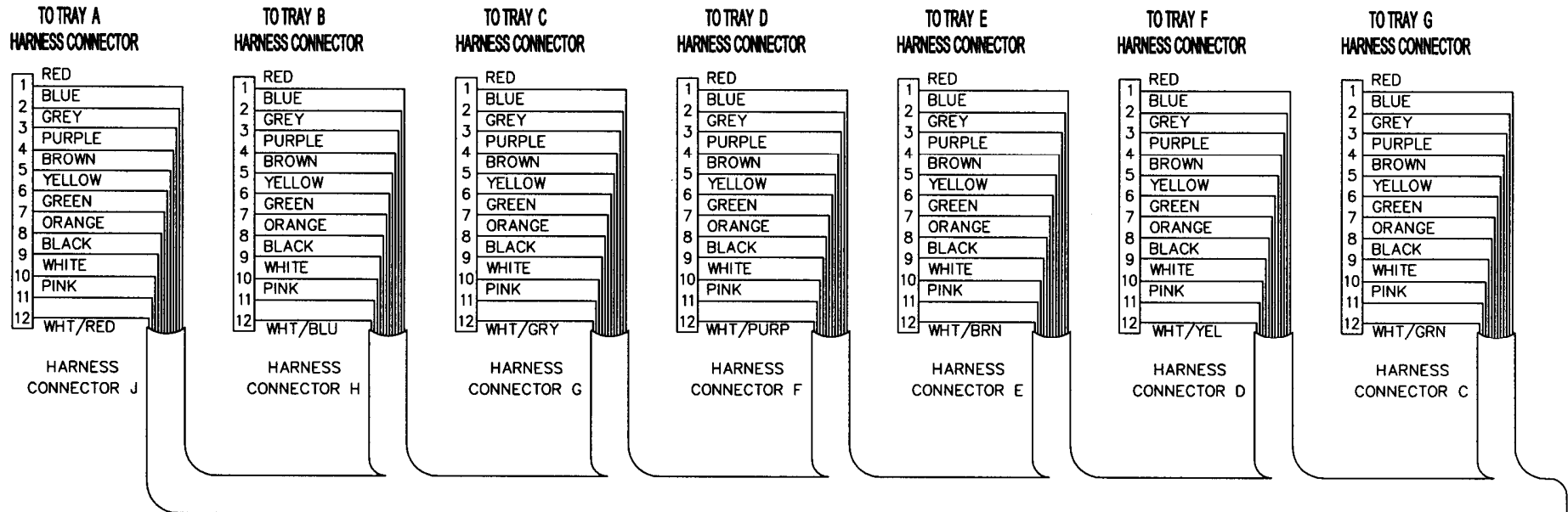
20144, HARNESS, REFRIGERATION



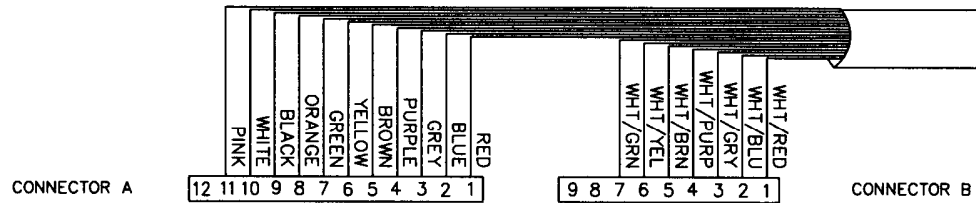
20146, HARNESS, DOOR MOTORS



20147, HARNESS, TRAY, 10 COLUMN

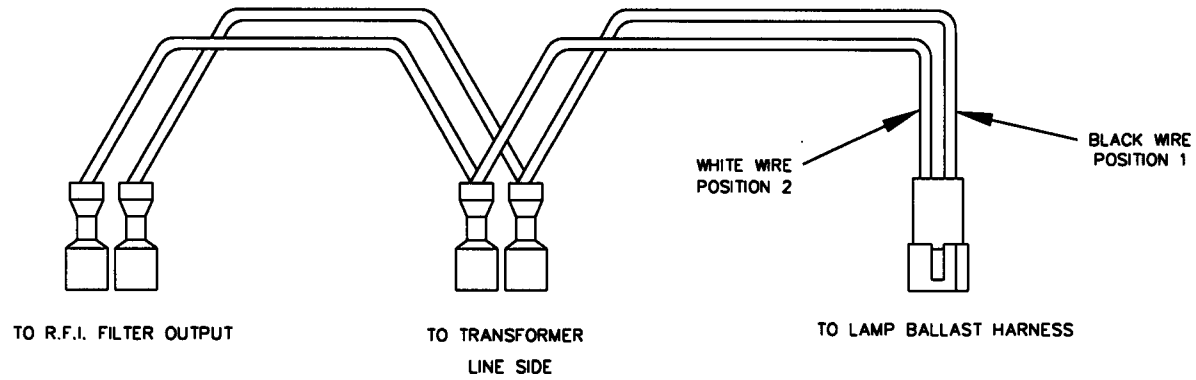


(CONNECTOR A IS JUMPERED TO ALL CONNECTORS TO TRAYS, PINS 1 -11)

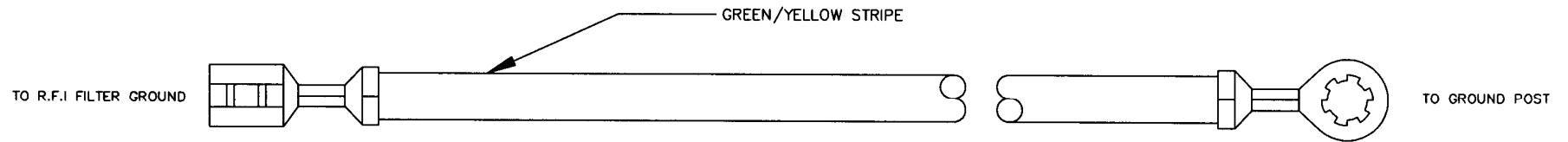


CONNECTOR A AND B TO 20146 HARNESS, DOOR MOTOR

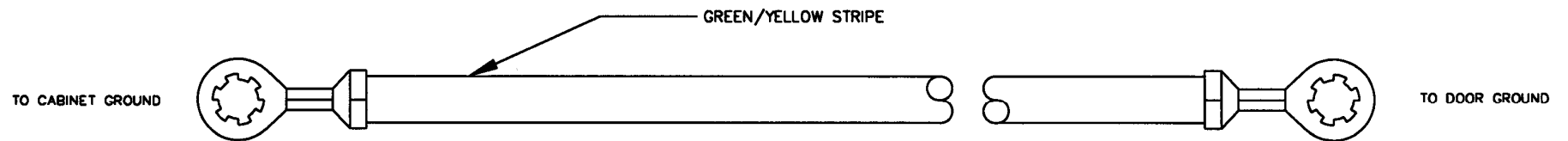
20148, HARNESS, MOTOR DISTRIBUTION



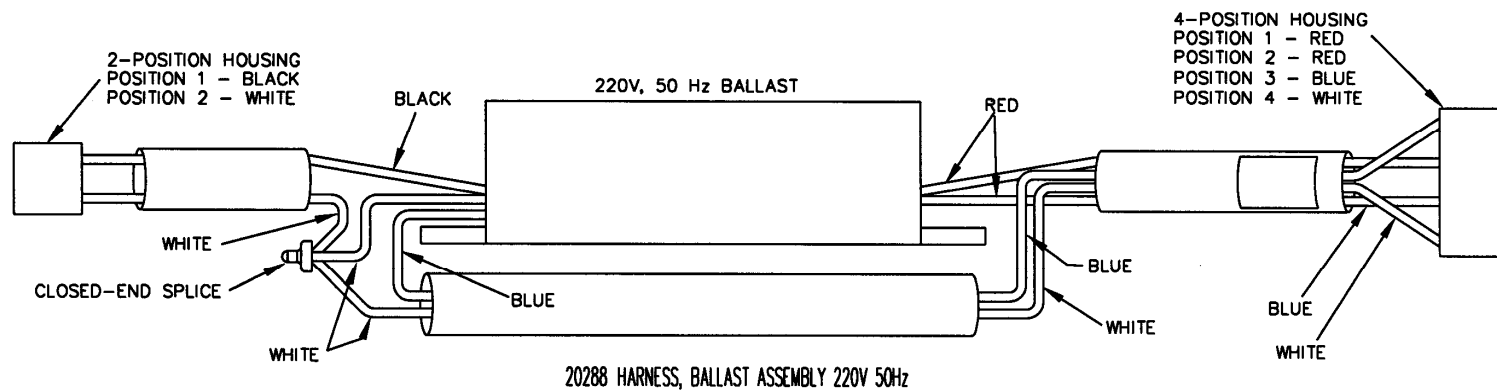
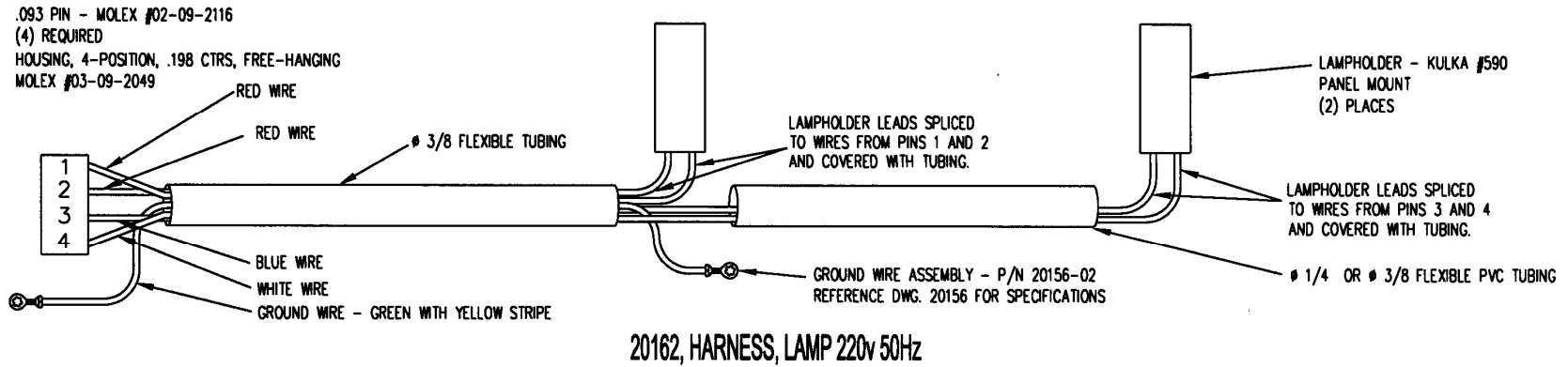
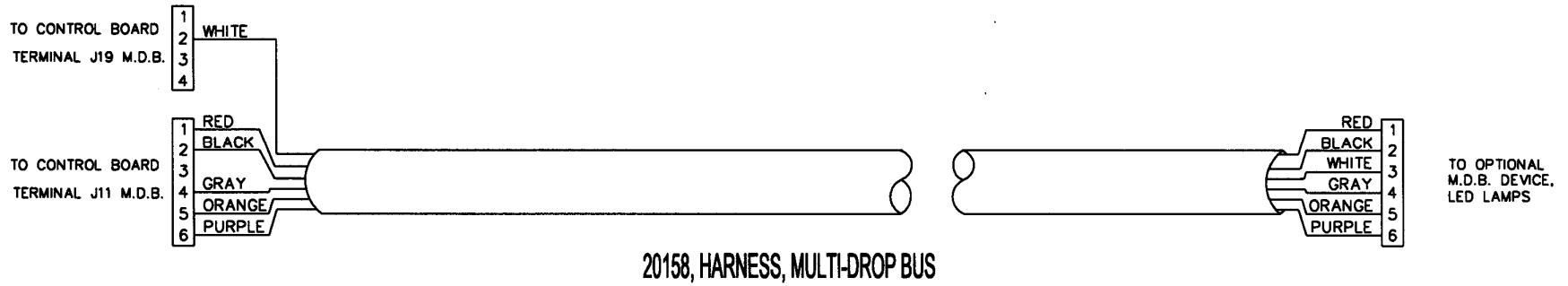
20149, HARNESS, BALLAST/TRANSFORMER LINE

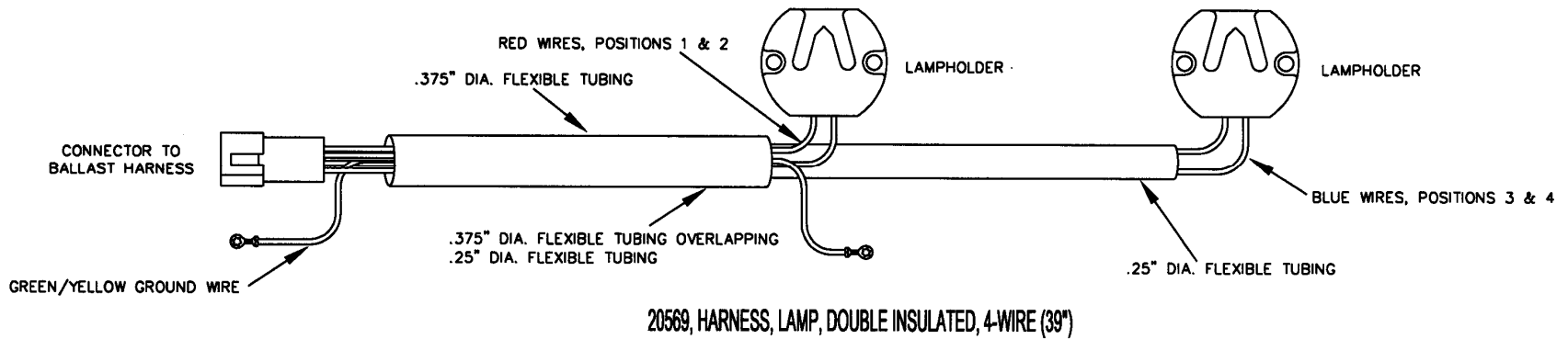
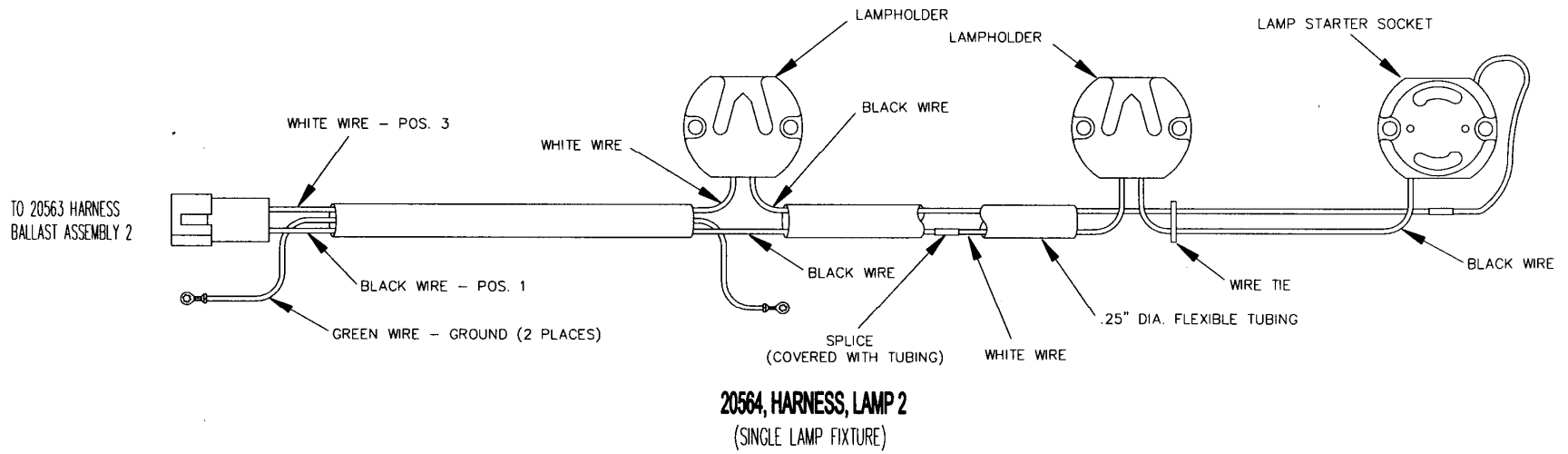
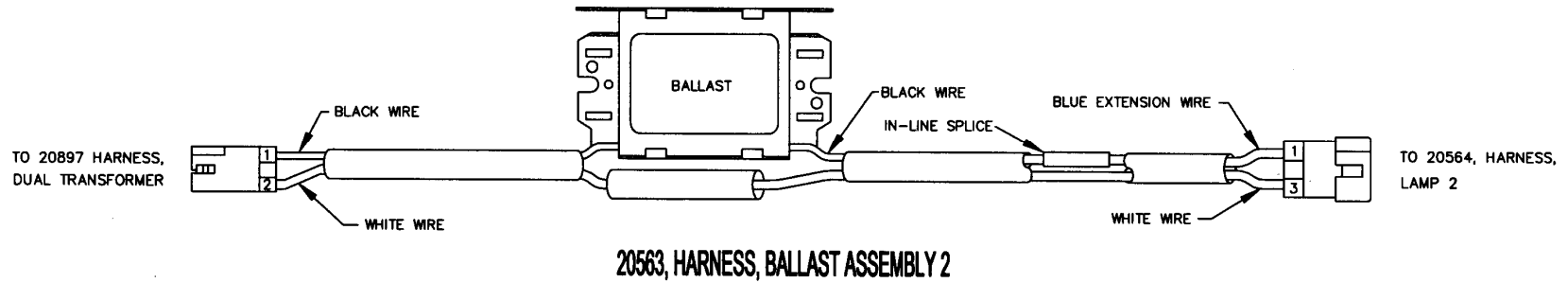


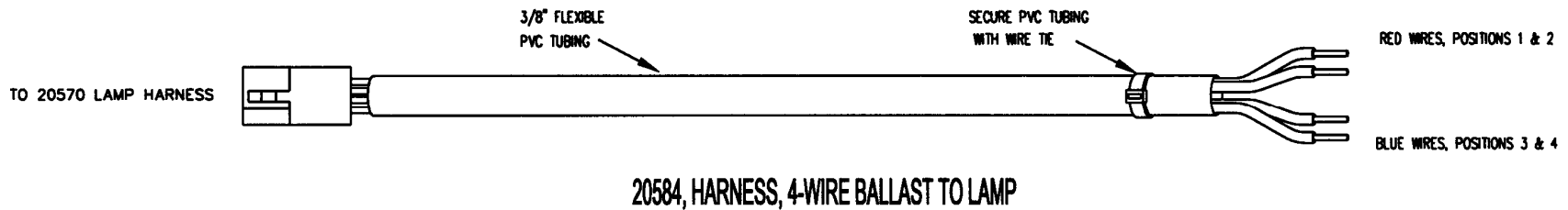
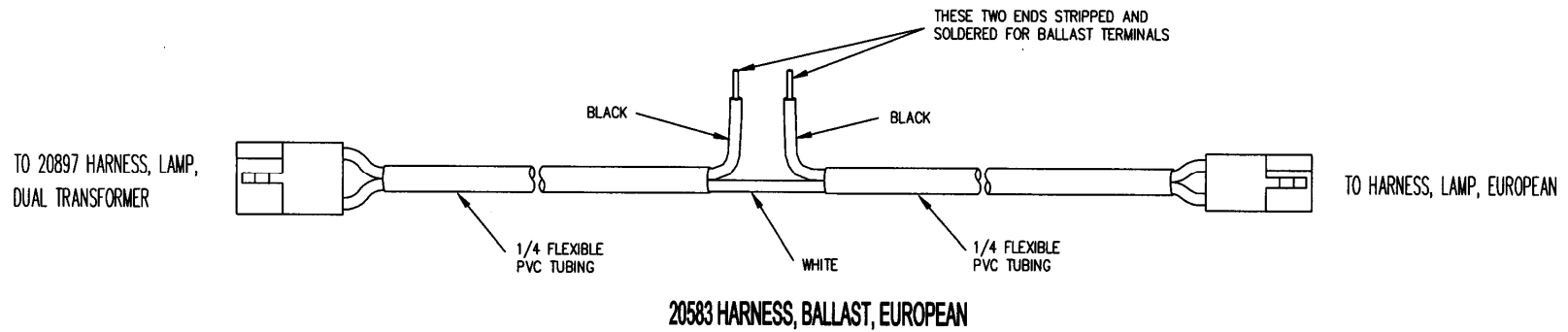
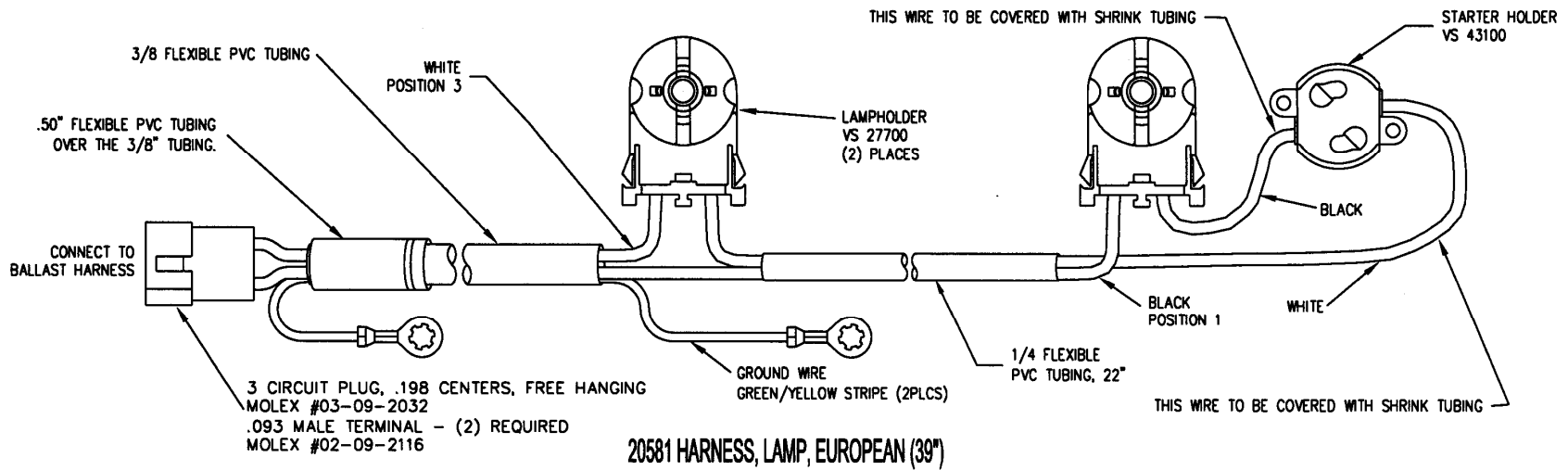
20154, HARNESS, R.F.I. FILTER GROUND

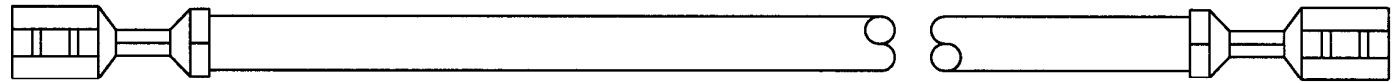
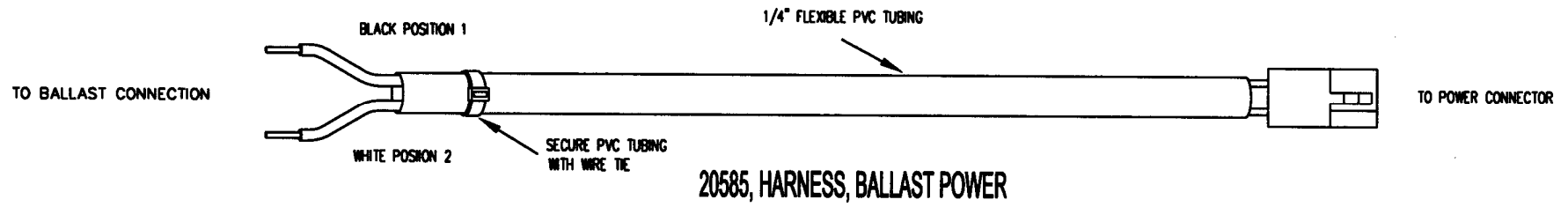


20156-01, HARNESS, GROUND

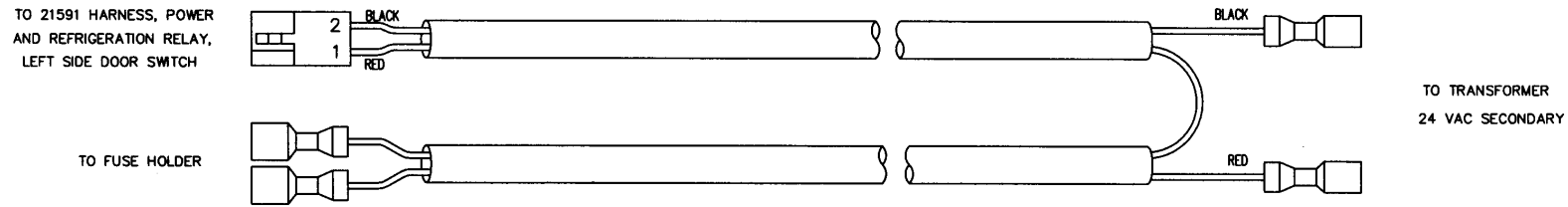




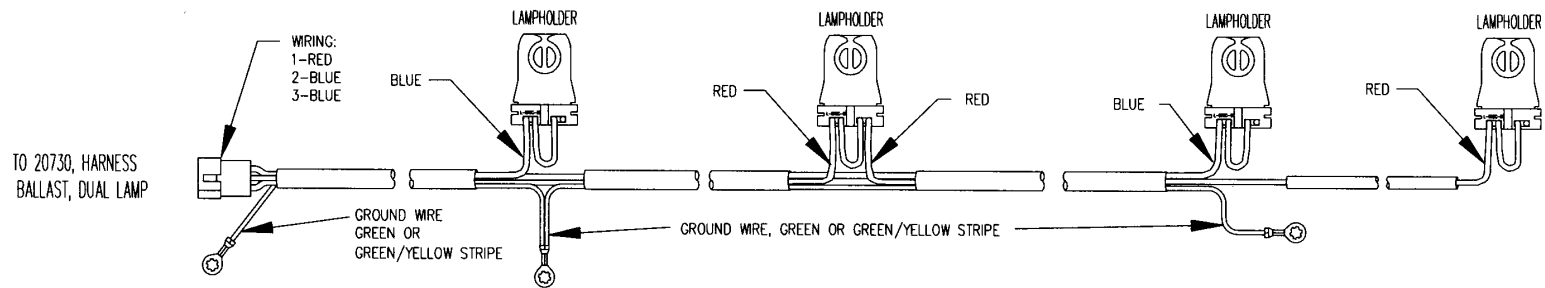




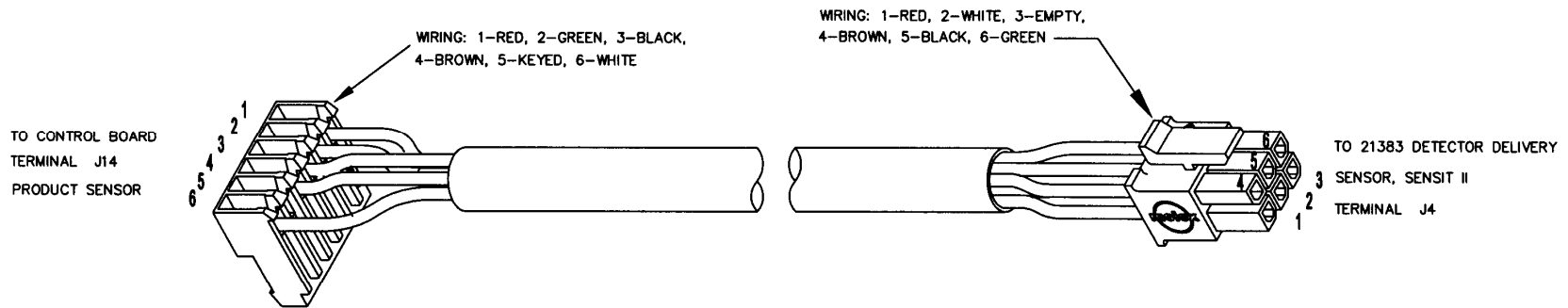
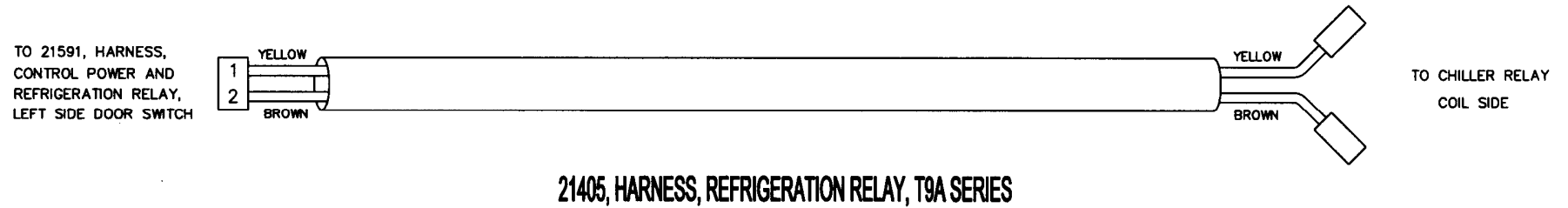
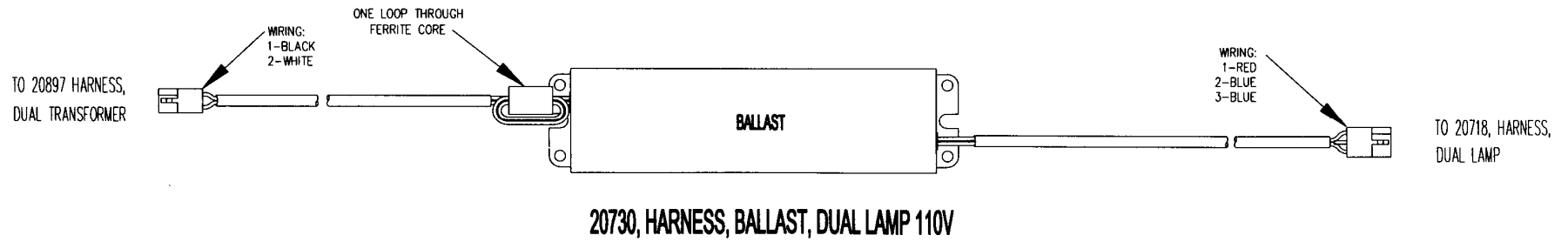
20648 JUMPER WIRE, 18 AWG X 3', FEMALE / FEMALE

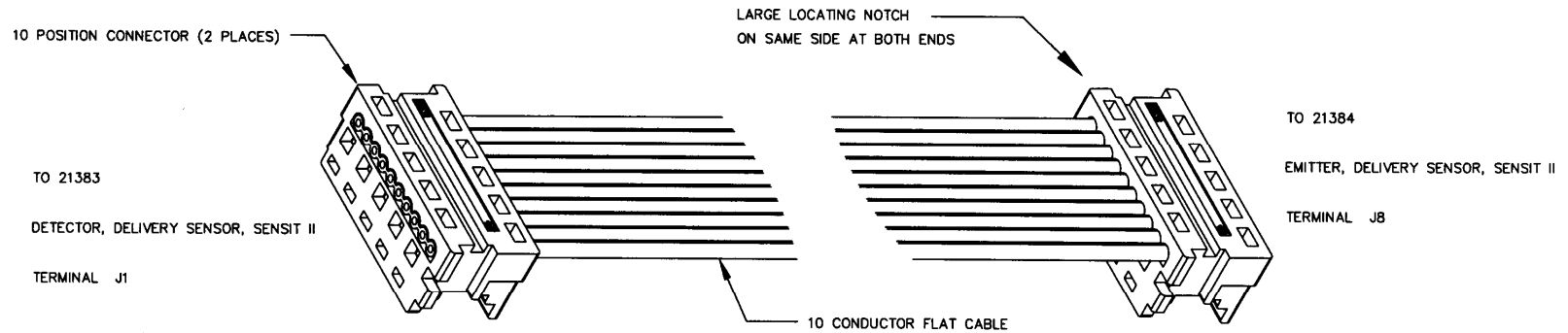


20701, HARNESS, TRANSFORMER AND FUSE

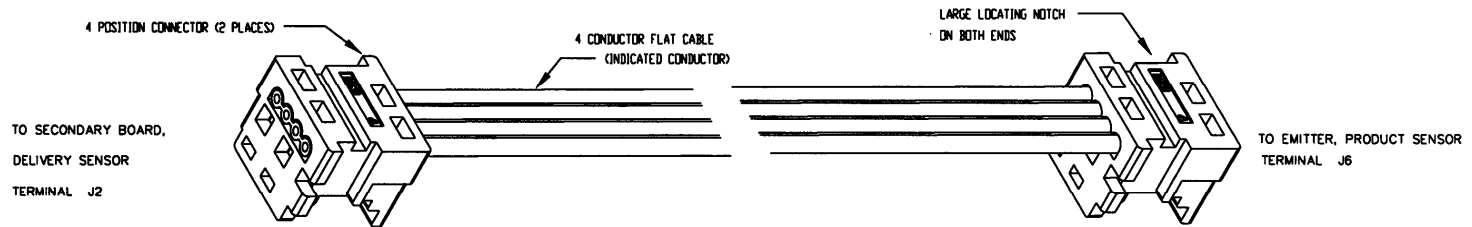


20718, HARNESS, DUAL LAMP 110V

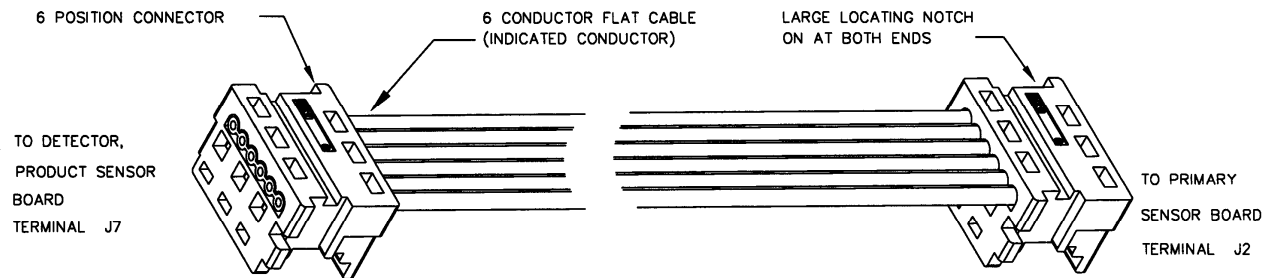




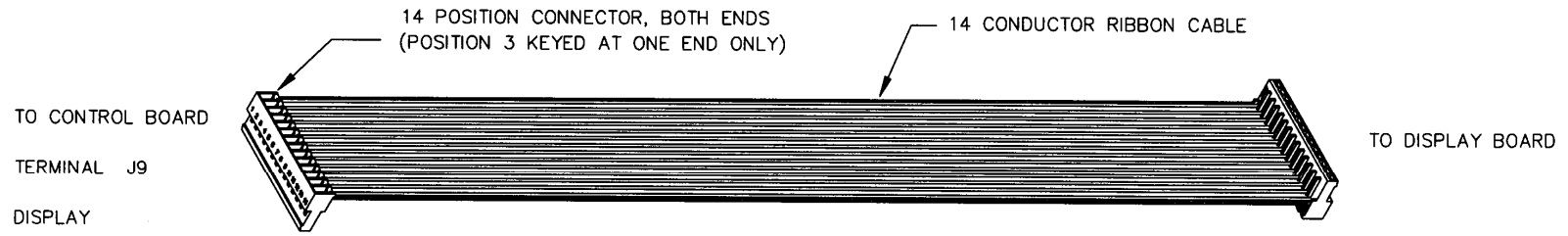
21426 HARNESS, DELIVERY SENSOR DETECTOR/EMITTER, SENSIT II



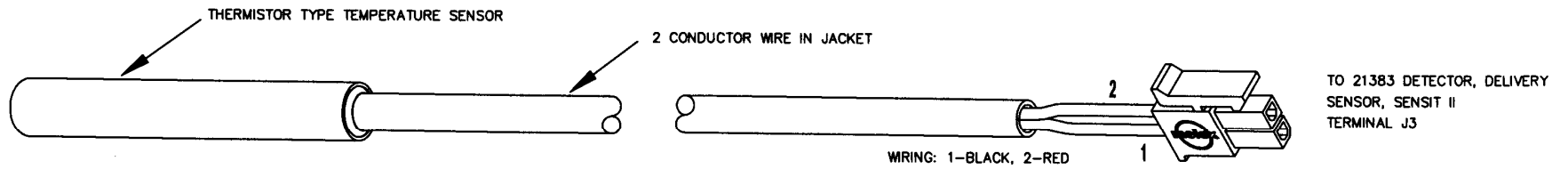
21427 HARNESS, PRODUCT SENSOR EMITTER, (OPTIONAL)



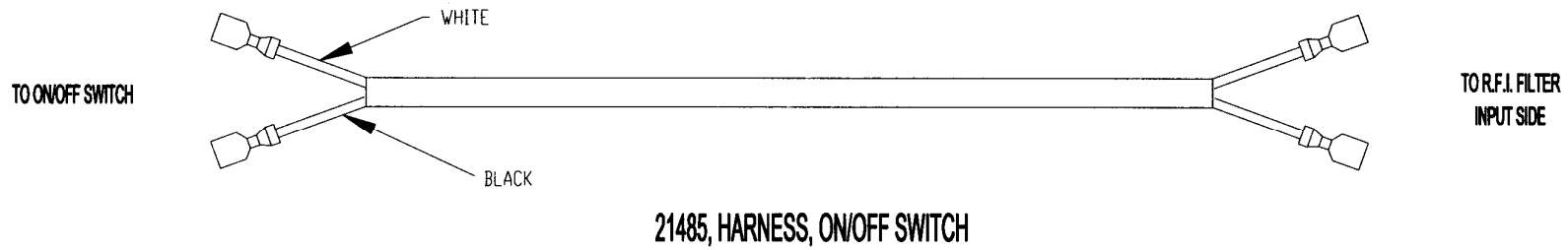
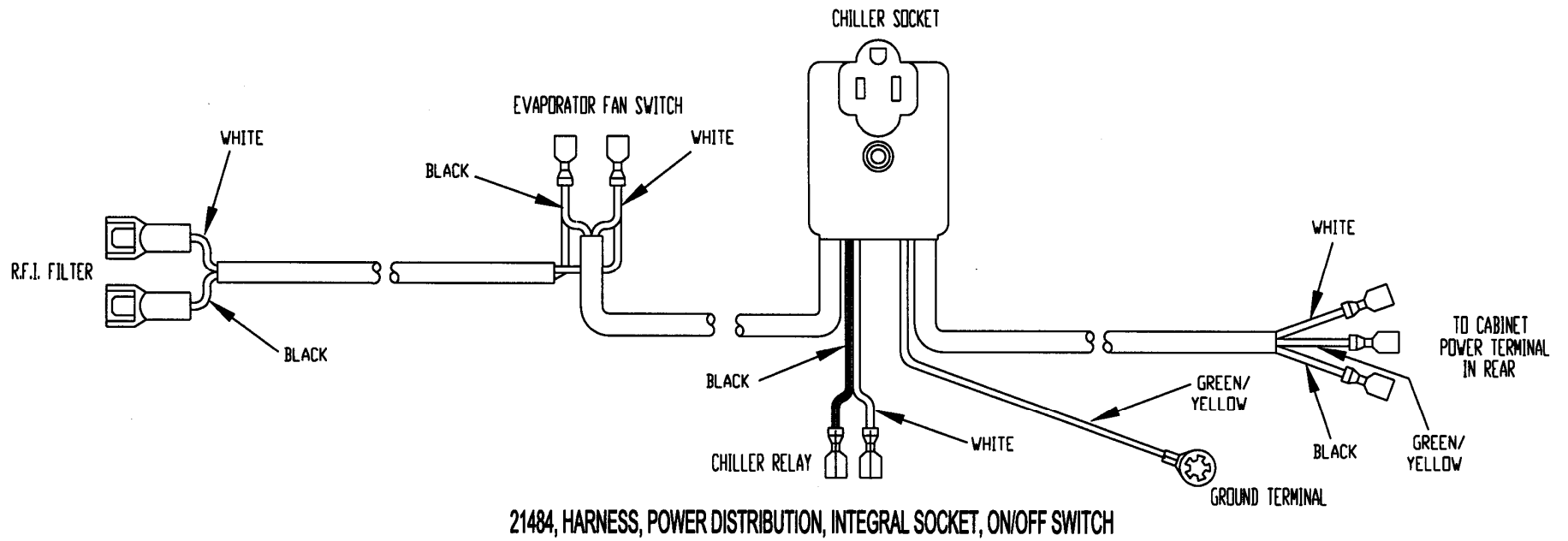
21428, HARNESS, PRODUCT SENSOR DETECTOR (OPTIONAL)

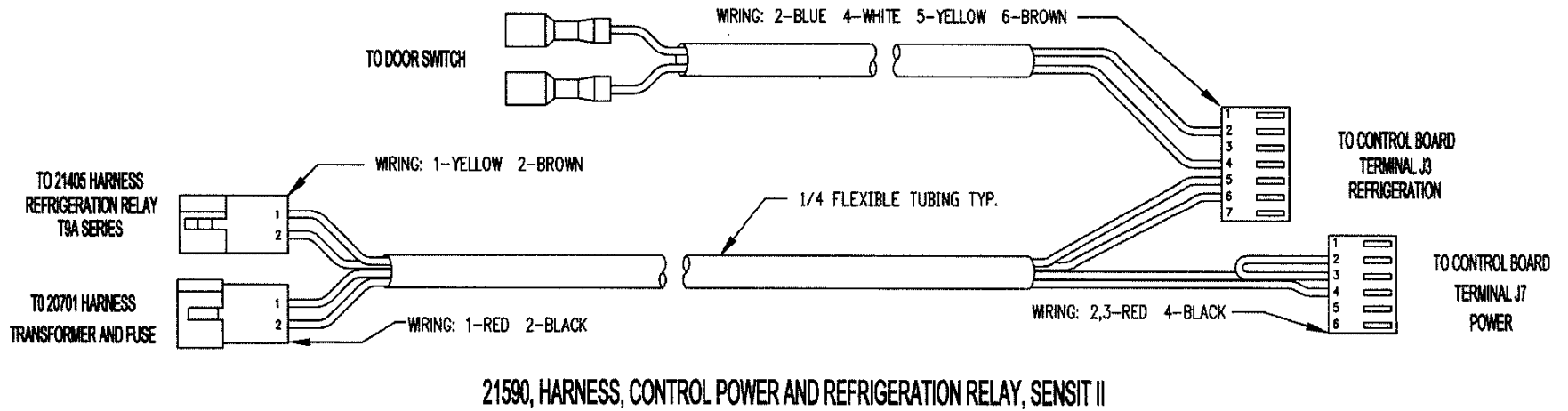
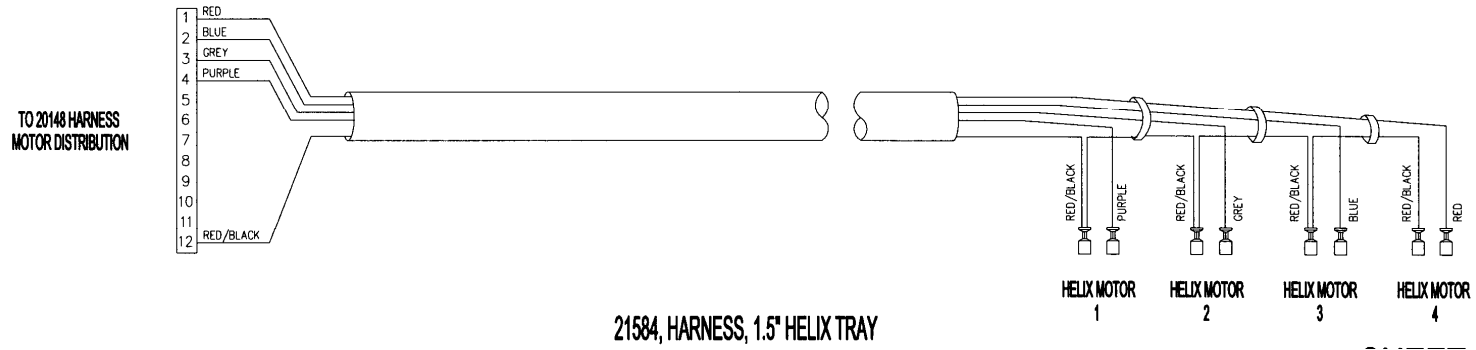


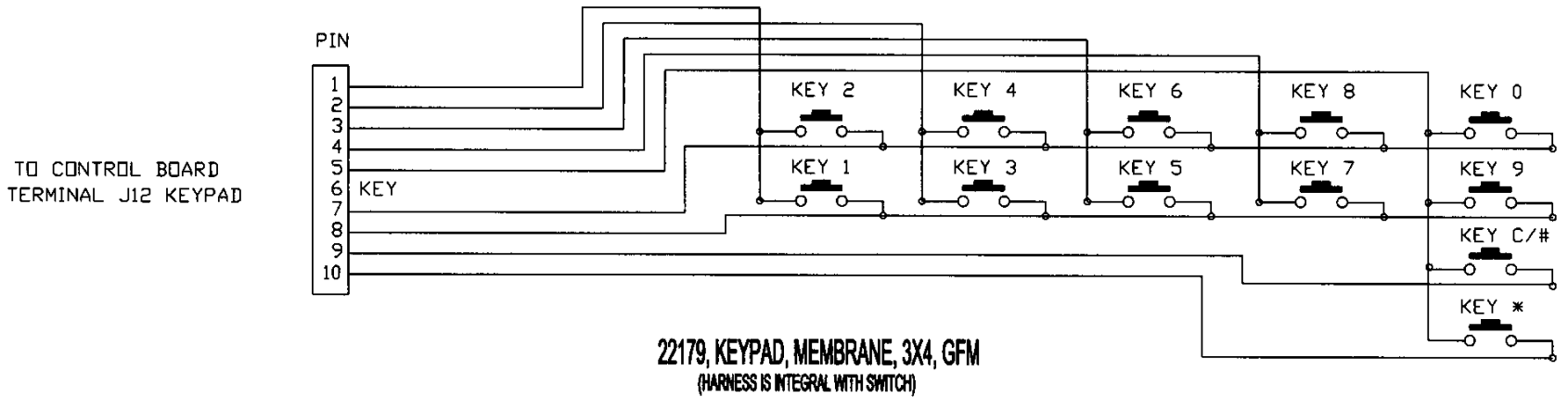
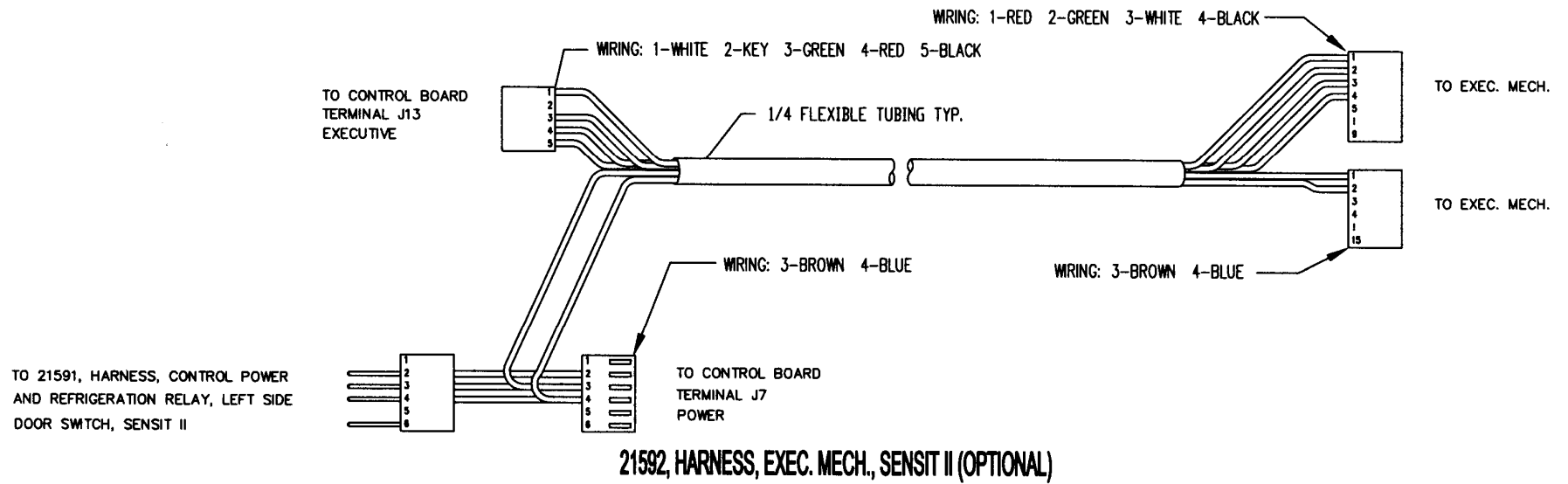
21432 HARNESS, DISPLAY, SENSIT II

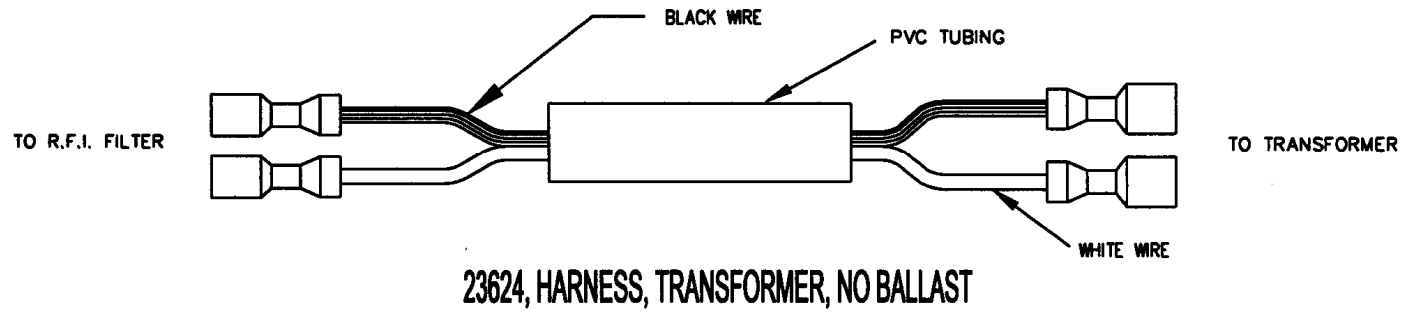
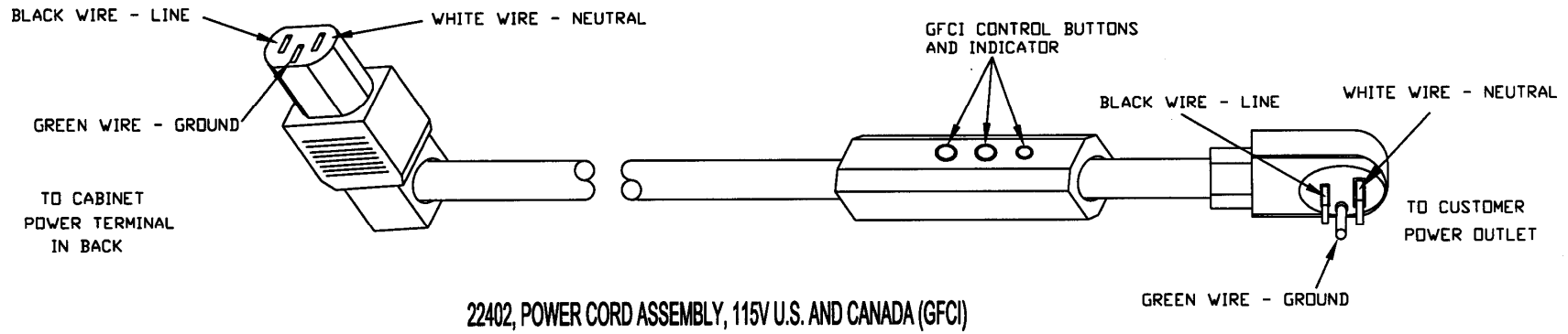


21468 TEMPERATURE SENSOR, SENSIT II







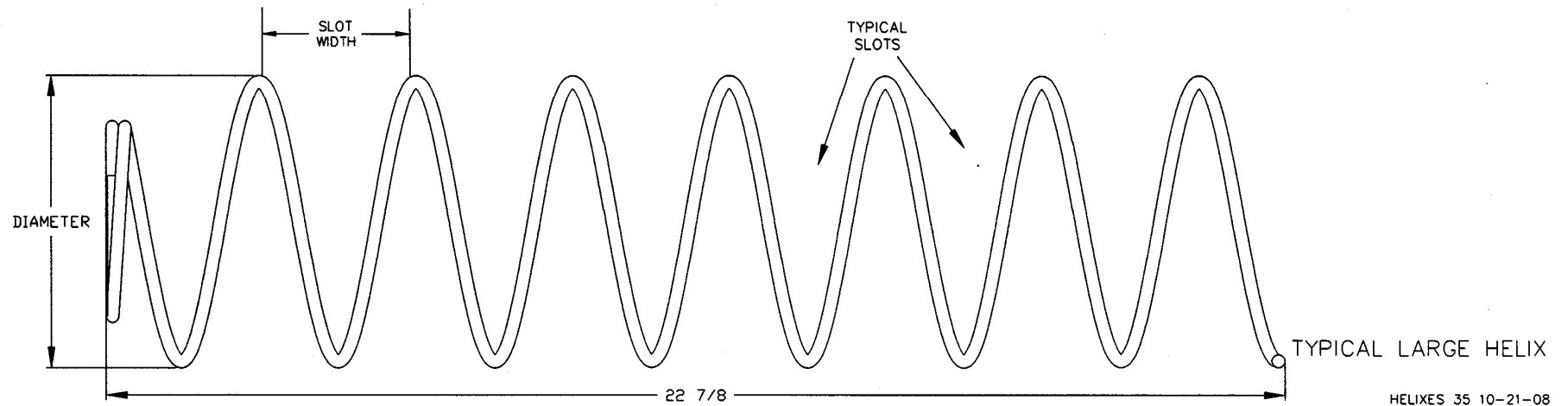
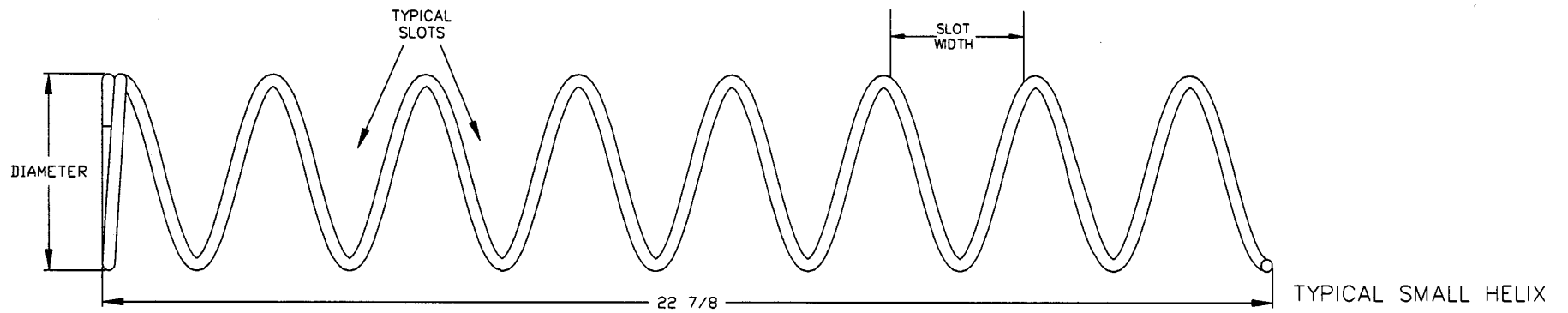
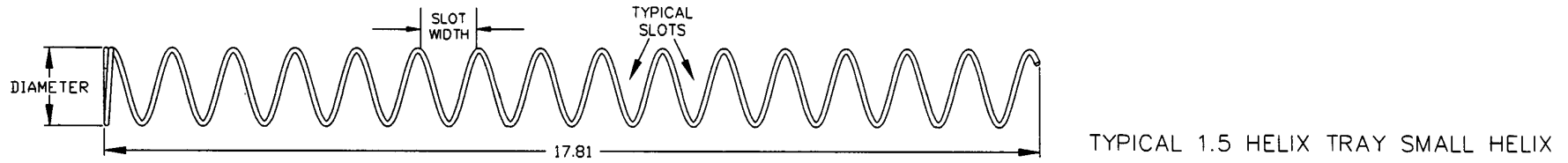


ELECTRICAL HARNESS PARTS LIST			
PART NO.	PART DESCRIPTION	QTY	NOTES
3173	Power Cord, Australia	1	
3193	Power Cord, Continental Europe	1	
3194	Power Cord, U.K. and Ireland	1	
3208	Power Cord, India and South Africa		
20142	Power Cord Assembly, 115V Domestic		Use for Mexico
20144	Harness, Refrigeration	1	For Chiller Power
20146	Harness, Door Motors	1	
20147	Harness, Tray, 10 Column	1	Use For 5 Column Tray
20148	Harness, Motor Distribution	1	
20149	Harness, Ballast/Transformer Line	1	
20154	Harness, R.F.I. Filter Ground	1	
20156-01	Harness, Ground	1	
20158	Harness, Multi-Drop Bus	1	Use For Both SII and S3
20162	Harness, Lamp 220V 50Hz	1	Use for Israel and South Africa
20288	Harness, Ballast Assembly, 220V, 50Hz		Single Lamp Option, 220V
20563	Harness, Ballast, Assembly 2	1	Single Lamp Option, 110V
20564	Harness, Lamp 2		Single Lamp Option, 110V
20569	Harness, Lamp, Double Insulated 4-Wire (39")	1	Australia 240V Single
20581	Harness, Lamp European (39")	1	For Single Lamp 220V
20583	Harness, Ballast, European	1	For Single Lamp 220V, (See Ballast, P/N 3158).
20584	Harness, 4-Wire Ballast to Lamp	1	Australia 240V Single
20585	Harness, Ballast Power	1	Australia 240V Single
20648	Jumper Wire	2	Australia 240V Single
20701	Harness, Transformer and Fuse	1	
20718	Harness, Dual Lamp, 110VAC	1	Dual Lamp Option
20730	Harness, Ballast, Dual Lamp, 110VAC	1	Dual Lamp Option, Attaches to Bracket
21405	Harness, Refrigeration Relay T9A	1	
21425	Harness, Delivery Sensor Detector/Control, Sensit II	1	Primary to Control Board
21426	Harness, Delivery Sensor Detector/Emitter, Sensit II	1	Secondary to Primary Board
21427	Harness, Product Sensor Emitter, Sensit II (Optional)	1	Secondary to Emitter Board
21428	Harness, Product Sensor Detector, Sensit II (Optional)	1	Primary to Detector Board
21432	Harness, Display, Sensit II	1	
21468	Temperature Sensor, and Harness, Sensit II	1	Integral to Sensor, for Chiller
21484	Harness, Power Distribution, Integral Socket	1	

21485	Harness, On/Off Switch	1	
21584	Harness, 1.5" Helix Tray	1	
21590	Harness, Control Power & Refrigeration Relay, Sensit II	1	
21592	Harness, Executive Mech Connector, Sensit II	1	
22179	Keypad Membrane, 3X4, GFM	1	Harness is Integral With Keypad
22402	Power Cord Assembly, 115, US and Canada	1	With GFCI, Use in U.S. and Canada
23624	Harness, Transformer, No Ballast	1	Use with LED Lighting

Note: Some assemblies, such as the keypad, are fabricated with the harness as a unit. These are replaceable only as a unit.
Some harness assemblies listed above are for options which may not have been contracted for and installed by AMS.

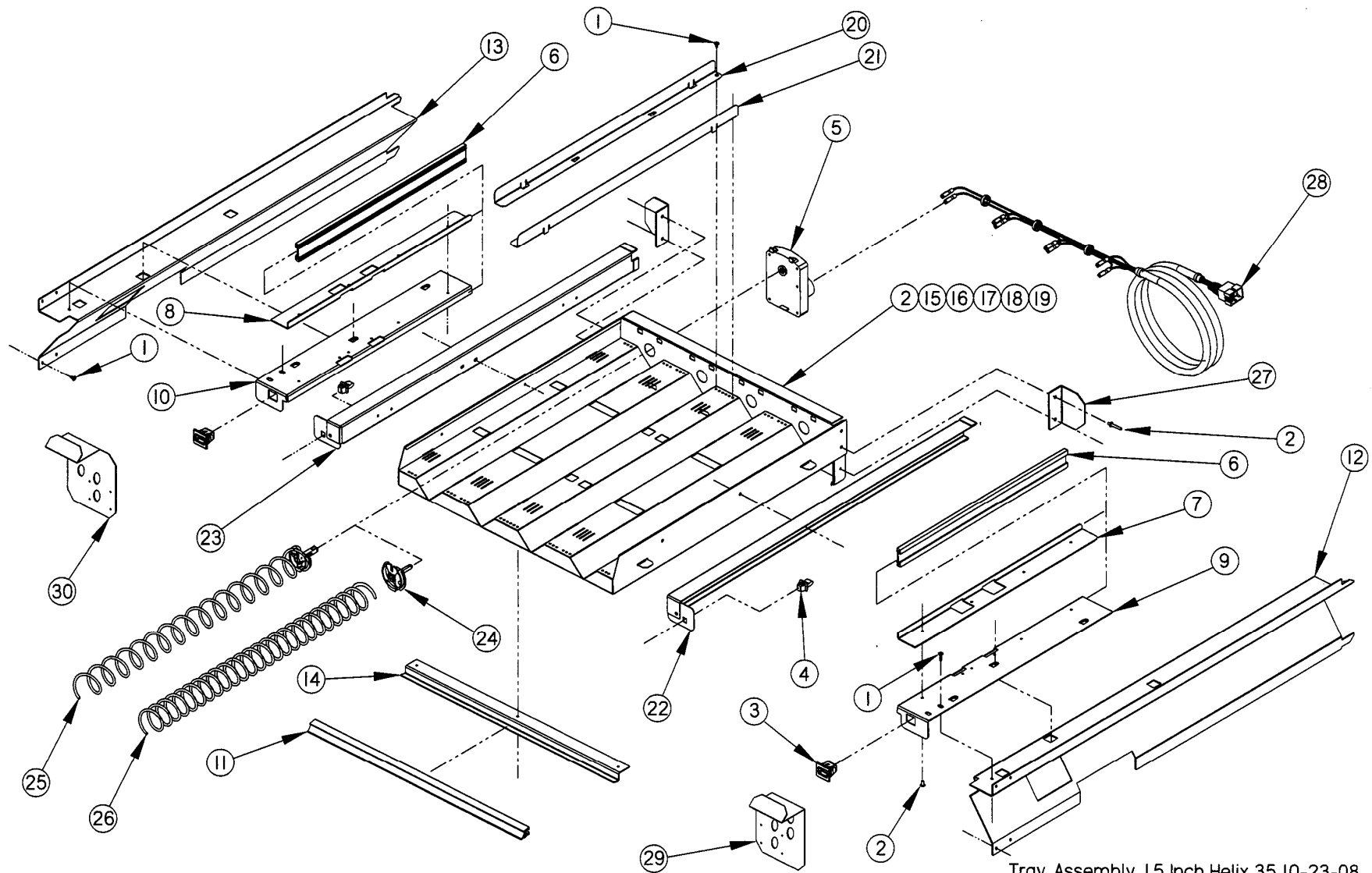
HELIX ILLUSTRATIONS



HELIX PARTS LIST							
PART NO.	HELIX DESCRIPTION *	SLOT (VEND) WIDTH	NUMBER OF SLOTS (PITCH)	HELIX OUTSIDE DIAMETER	TURNS	QTY PER COLUMN	NOTE
20119-07	Helix, Small CW, Black	2 5/8	7	2.6	CW	1 Set	Use With 20120-07 As A Set
20120-07	Helix, Small CCW, Black	2 5/8	7	2.6	CCW	1 Set	
20119-10	Helix, Small CW, Black	1 7/8	10	2.6	CW	1 Set	Use With 20120-10 As A Set
20120-10	Helix, Small CCW, Black	1 7/8	10	2.6	CCW	1 Set	
20120-12	Helix, Small CCW, Black	1 7/8	12	2.6	CCW	1	
20120-15	Helix, Small CCW, Black	1 7/8	15	2.6	CCW	1	
20120-18	Helix, Small CCW, Black	1 7/8	18	2.6	CCW	1	
20120-24	Helix, Small CCW, Black	1 7/8	24	2.6	CCW	1	
21207-15	Helix, 1.5", CCW, Black	1	15	1.5	CCW	1	Use in 1.5" Helix Tray
21207-25	Helix, 1.5", CCW, Black	9/16	25	1.5	CCW	1	Use in 1.5" Helix Tray
21336	Helix, 3", CCW, Black	3.5	6	3	CCW	1	Bottle Tray
21337	Helix, 3", CCW, Black	3.2	6	3	CCW	1	Bottle Tray
21465-5	Helix, 3.75" CCW, Black	3 1/4	5	3.75	CCW	1	Large Diameter
21465-7	Helix, 3.75" CCW, Black	2 5/8	7	3.75	CCW	1	Large Diameter
21465-9	Helix, 3.75" CCW, Black	2	9	3.75	CCW	1	Large Diameter
21465-10	Helix, 3.75" CCW, Black	1 3/4	10	3.75	CCW	1	Large Diameter
21465-12	Helix, 3.75" CCW, Black	1 1/2	12	3.75	CCW	1	Large Diameter
21465-15	Helix, 3.75" CCW, Black	1 1/4	15	3.75	CCW	1	Large Diameter

Contact your distributor for special helix diameters and pitch.

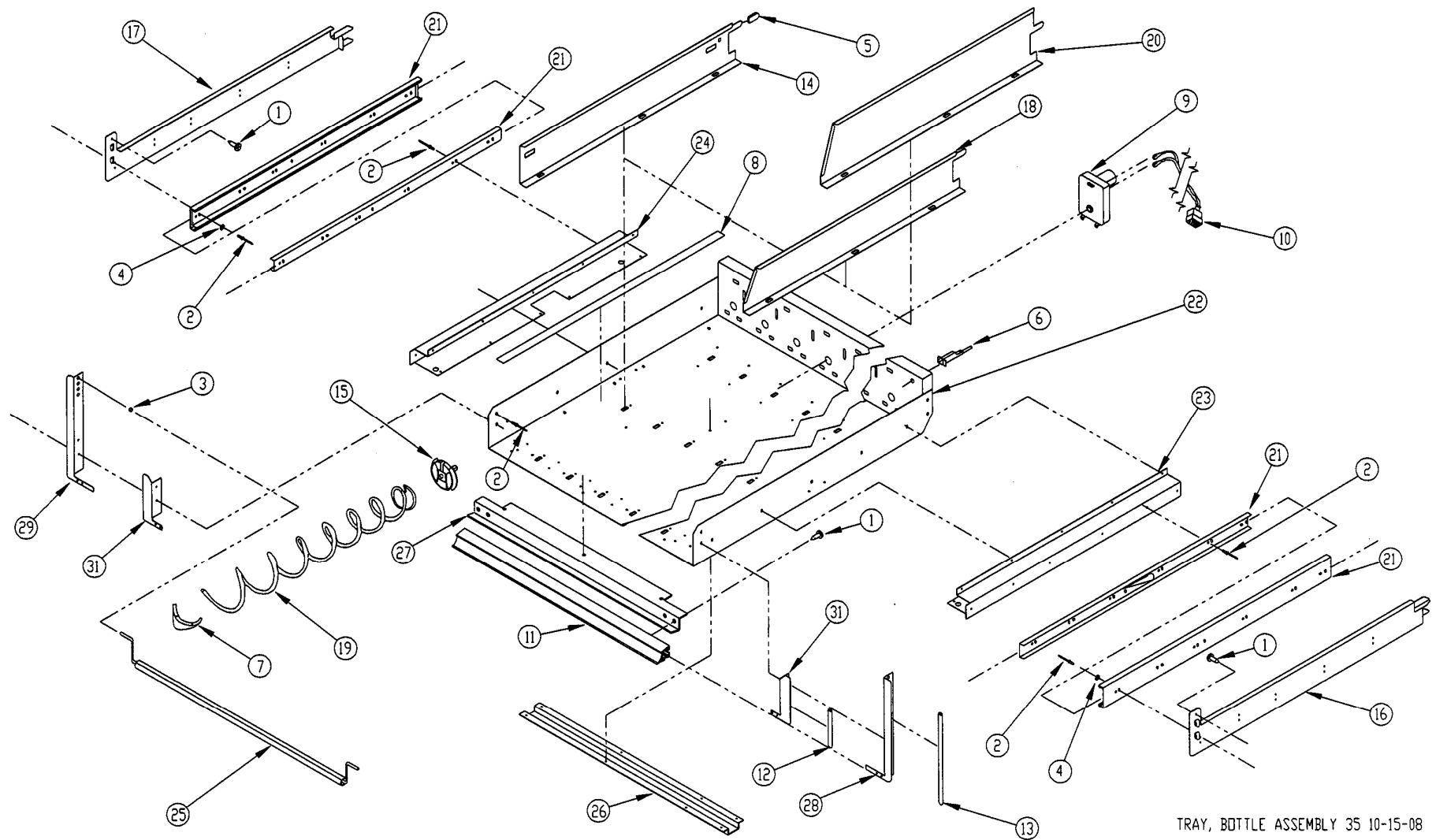
1.5" HELIX TRAY ILLUSTRATION



Tray, Assembly, 1.5 Inch Helix 35 10-23-08

1.5" HELIX TRAY PARTS LIST				
ITEM NO	PART NO.	PART NAME	QTY	NOTES
1	3000	Screw, TEK 8-18	18	
2	3009-02	Rivet, Pop, Steel, 1/8	34	
3	3246	Latch, Nylon, Gum and Mint	2	
4	3247	Strike, Nylon, Gum and Mint	2	
5	20086	Motor, Single Helix W/O Switch	4	
6	20236	Extrusion, Gum and Mint Rail	2	
7	20237	Extrusion Mount, Upper (Gum and Mint)(Right Side)	1	
8	20237-01	Extrusion Mount, Upper (Gum and Mint)(Left Side)	1	
9	20238	Extrusion Mount, Lower (Gum and Mint)(Right Side)	1	
10	20238-01	Extrusion Mount, Lower (Gum and Mint)(Left Side)	1	
11	20465-04	Extrusion, Price Marker, Reduced Height	1	
12	21046	Rail, Gum and Mint, Reduced Depth (35")(Right Side)	1	Rails To Fit Tray To 35" Cabinet
13	21046-01	Rail, Gum and Mint, Reduced Depth (35")(Left Side)	1	
14	21196	Doubler, Tray 1.5" Helix Tray	1	Parts Are Factory Assembled As A Unit
15	21197	Tray Body, 1.5" Helix Tray	1	
16	21199	Tray Back, 1.5" Helix Tray	1	
17	21200	Tray Inner Side, 1.5" Helix Tray	2	
18	21201	Tray Inner Section, 1.5" Helix Tray	2	
19	21202	Tray Inner Mid Section, 1.5" Helix Tray	1	
20	21203	Divider, Tray, 1.5" Helix Tray, RH	4	
21	21203-01	Divider, Tray, 1.5" Helix Tray, LH	4	
22	21204	Tray Slide Channel, 1.5" Helix Tray, RH	1	
23	21204-01	Tray Slide Channel, 1.5" Helix Tray, LH	1	
24	21206	Helix Adapter, 1.5" Helix Tray	4	
25	21207-15	Helix, 1.5" Tray, Counterclockwise, Black	2	Tray is Equipped With Two Of Each
26	21207-25	Helix, 1.5" Tray, Counterclockwise, Black	2	
27	21523	Bracket, Stop, 1.5" Helix Tray	2	
28	21584	Harness, 1.5" Helix Tray	1	
29	21609	Deflector, 1.5" Helix Tray, RH	1	Use When 1.5" Tray Is Installed
30	21609-01	Deflector, 1.5" Helix Tray, LH	1	

BOTTLE TRAY ILLUSTRATION

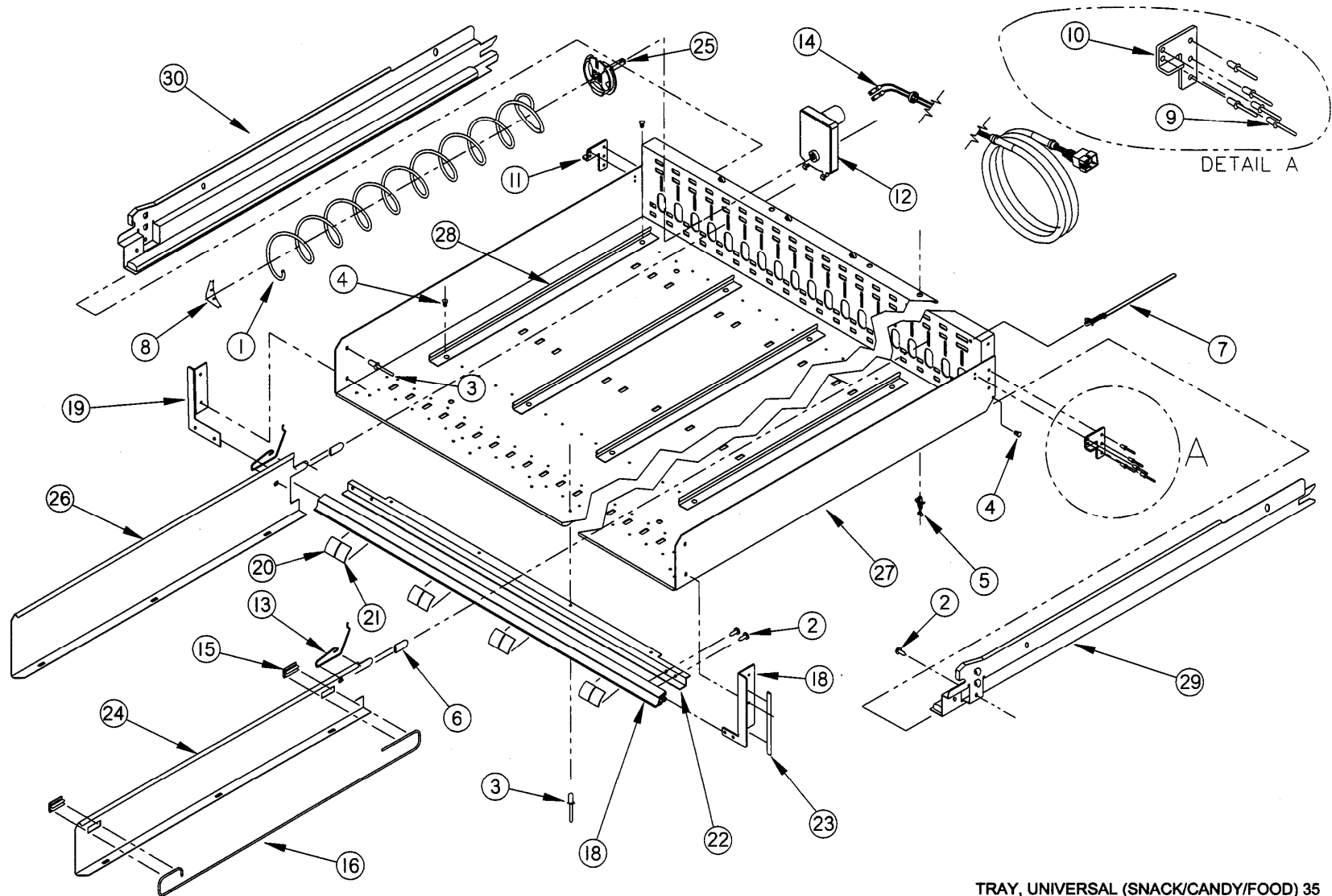


TRAY, BOTTLE ASSEMBLY 35 10-15-08

BOTTLE TRAY PARTS LIST				
ITEM.	PART NO.	PART NAME	QTY	NOTE
1	3001-03	Screw, Sheet Metal, Type B, 8-18	8	2 Are used For Rail Safety Screws
2	3009-02	Rivet, Pop, Steel, 1/8	47	
3	3015	Bearing, Nyliner, Snap-In	2	Use On Bottle Tipper
4	3017-05	Washer, Flat Steel	10	For Rivet Reinforcement on Rail Slides
5	3021	Protective Cap, Vinyl	5	1 For Each Divider
6	3042-01	Wire Tie, Panel Mount	1	
7	3111	Helix Ejector, Small Helix	6	
8	3189-01	Tape, UHMW Polyethylene, 3/4" X .005"	12'	
9	20086	Motor, Single Helix W/O Switch	6	For SII Usage Only
	23007	Motor, With Home Circuit, SIII		For S3 Usage Only
10	20163	Harness, Tray, 8 Column	1	Use for 6 or 8 Columns
11	20645-05	Extrusion, Price Marker, Ver. 2	1	
12	20796-01	Edge Guard, Tray Corner (Only RH)	1	
13	20796-02	Edge Guard, Tray Corner (Only RH)	1	Use With Bottle Tipper
14	20956	Tray Divider, Reduced Depth (Square Front)	5	Select Type
15	20966	Helix Adapter, Without Hub	6	
16	20980	Rail, Bottle Tray, Reduced Depth (RH)	1	Use Lower Positions For Tall Products
17	20980-01	Rail, Bottle Tray, Reduced Depth (LH)	1	Use Lower Positions For Tall Products
18	21276	Tray Divider, Reduced Depth, Tapered Front	5	3.3" High – Select Type
19	21336	Helix, 3" Counter-Clockwise, 3.5" Opening, Black	6	See Helix Description For Options
20	21374	Tray Divider, Reduced Depth, Tapered Front, High	5	4.9" High – Select Type
21	21475-02	Rail Slide, Full Extension, 24"	1	2 Slides Per Tray, Each With 2 Parts
22	21952	Tray Body, Bottle, Reduced Depth, Low Temp (35")	1	
23	21953	Tray Bracket, Right Hand (35")	1	
24	21953-01	Tray Bracket, Left Hand (35")	1	
25	21956	Assembly, Bottle Tipper Bar, Low Temp (35")	1	
26	21958	Tray Reinforcement, Bottle, Low Temp (35")	1	
27	21959	Tray Doubler, Bottle, Low Temp (35")	1	
28	22008	Tray Corner, Bottle Tipper Bar, Low Temp (35")	1	
29	22008-01	Tray Corner, Bottle Tipper Bar, Low Temp (35")	1	
30	22009	Tray Corner, Bottle, Low Temp (35")	1	
31	22009-01	Tray Corner, Bottle, Low Temp (35")	1	

NOTE: 20692, Device, Bottle Alignment (BAD), are no longer supplied.

UNIVERSAL (SNACK/CANDY/FOOD) TRAY ILLUSTRATION



TRAY, UNIVERSAL (SNACK/CANDY/FOOD) 35

UNIVERSAL (SNACK/CANDY/FOOD) TRAY PARTS LIST				
ITEM NO	PART NO.	PART NAME	QTY FOR 6 *	NOTE
1	1	Helix	6	Refer to Helix Section. 1 Per Column.
2	3001-03	Screw, Sheet Metal, Type B, #8-18 (3/8" Long)	6	
3	3009-02	Rivet, Pop, Steel, 1/8 (1/8" Grip)	12	
4	3019	Canoe Clip	14	
5	3020	Wire Tie, Standoff	3	
6	3021	Divider Cap	5	
7	3042-01	Wire Tie, Panel Mount	1	
8	3111	Helix Ejector	6	
9	3295-03	Rivet, Steel, 1/8", Plated	10	Use for Tab
10	20073	Tray Stop (RH)	1	
11	20073-01	Tray Stop (LH)	1	
12	20086	Motor, Single Helix	6	Use Only For SII
	23007	Motor, With Home Circuit		Use Only for S3
13	20133	Tray Divider Spring	5	
14	20163	Harness, Tray, 8 Column	1	
15	20220	Extrusion, Candy Pusher	5	
16	20221	Bar, Candy Pusher	5	
17	20465-02	Extrusion, Price Marker, Reduced Height	1	
18	20545	Tray Corner, Ver. 2 (RH)	1	
19	20545-01	Tray Corner, Ver. 2 (LH)	1	
20	20613	Label Sheet, Reduced Height Location	1	
21	20614	Label Sheet, Reduced Height Price	1	
22	20643	Tray Doubler, Ver. 2 (35")	1	
23	20796-01	Edge Trim, Tray Corner	1	Right Hand Corner Only
24	20956	Tray Divider, Reduced Depth	5	Apx. 3.4" High. Select Type
25	20966	Helix Adapter, Without Hub	6	
26	20984	Tray Divider, High, Reduced Depth	5	Apx. 4.9" High. Select Type
27	21045	Tray Body, Reduced Depth (35")	1	
28	22192	Helix Alignment Device, PVC	6	
29	22250	Assembly, Rail, Snack, Right	1	
30	22251	Assembly, Rail, Snack, Left	1	

* Quantities needed for 6 columns. Actual configuration of vendor trays may vary.

