

# **SZF/DZF-GVC2**

**3517•3518•3519•3520•3521•3545**

## **PARTS MANUAL**



A11804



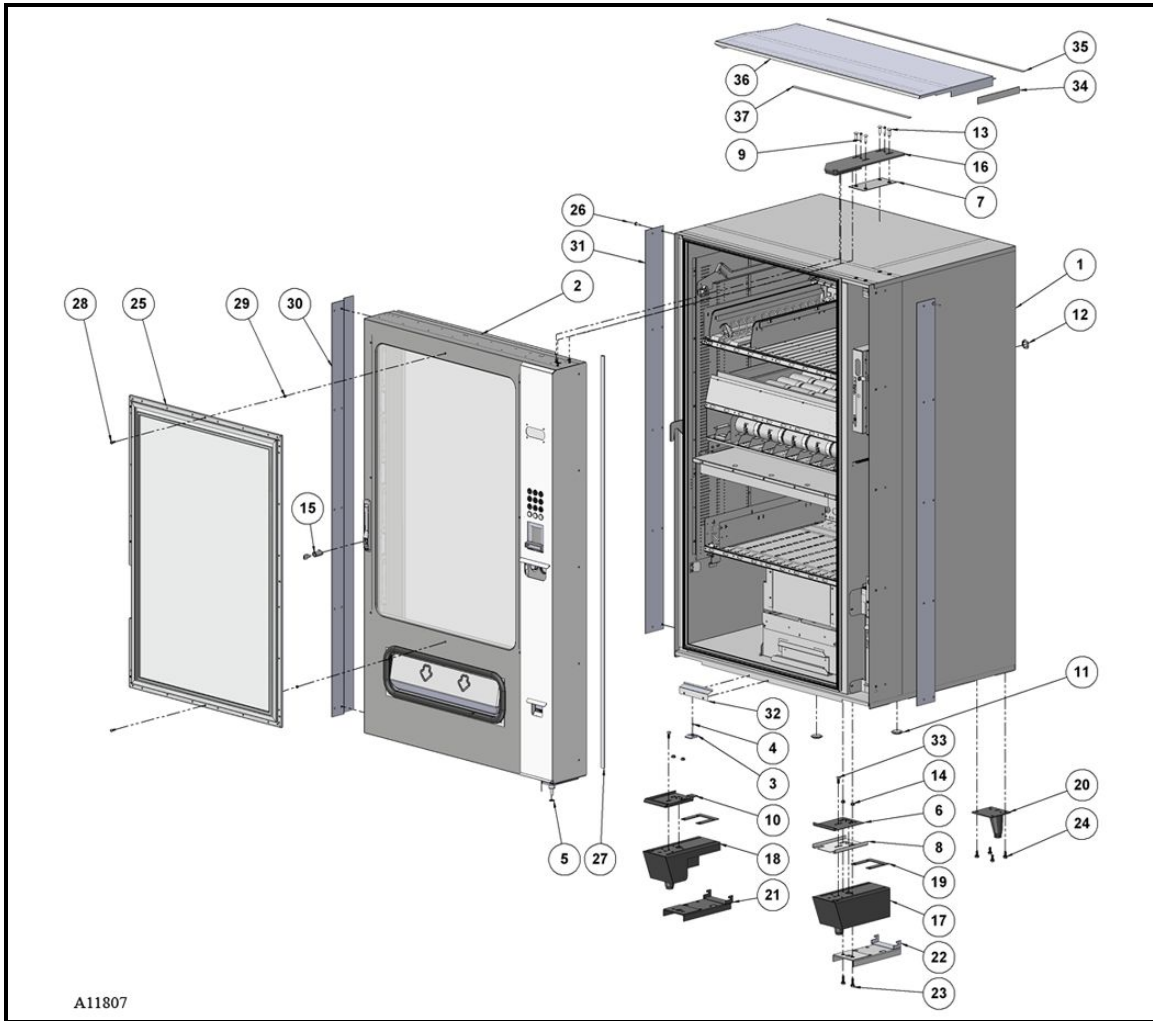
A11805

**VendNet™**  
165 North 10<sup>th</sup> Street  
Waukee, IOWA 50263-0488  
United States of America

# TABLE OF CONTENTS

<b>FINAL ASSEMBLY</b> .....	<b>1</b>
<i>FINAL ASSEMBLY PARTS LIST</i> .....	2
<b>DOOR ASSEMBLY</b> .....	<b>3</b>
<i>DOOR ASSEMBLY PARTS LIST</i> .....	5
<b>DELIVERY BOX ASSEMBLY</b> .....	<b>7</b>
<i>DELIVERY BOX ASSEMBLY PARTS LIST</i> .....	8
<b>LIGHT ASSEMBLY (OPTIONAL)</b> .....	<b>10</b>
<i>LIGHT ASSEMBLY PARTS LIST (OPTIONAL)</i> .....	10
<b>TOP LED ASSEMBLY (3518)</b> .....	<b>11</b>
<i>TOP LED ASSEMBLY PARTS LIST (3518)</i> .....	11
<b>LED SIDE ASSEMBLY (OPTIONAL)</b> .....	<b>12</b>
<i>LED SIDE ASSEMBLY PARTS LIST (OPTIONAL)</i> .....	12
<b>SELECTOR PANEL COVER ASSEMBLY (3518)</b> .....	<b>13</b>
<i>SELECTOR PANEL COVER ASSEMBLY PARTS LIST (3518)</i> .....	13
<b>COIN CUP ASSEMBLY (3518)</b> .....	<b>14</b>
<i>COIN CUP ASSEMBLY PARTS LIST (OPTIONAL)</i> .....	14
<b>COIN INSERT RETAINER ASSEMBLY (3518)</b> .....	<b>14</b>
<i>COIN CUP ASSEMBLY PARTS LIST (OPTIONAL)</i> .....	14
<b>KEYPAD ACCESS ASSEMBLY (3518)</b> .....	<b>15</b>
<i>COIN CUP ASSEMBLY PARTS LIST (OPTIONAL)</i> .....	15
<b>VALIDATOR FILLER ASSEMBLY (3518)</b> .....	<b>15</b>
<i>COIN CUP ASSEMBLY PARTS LIST (OPTIONAL)</i> .....	15
<b>CABINET ASSEMBLY</b> .....	<b>16</b>
<i>CABINET ASSEMBLY PARTS LIST</i> .....	17
<b>POWER ASSEMBLY</b> .....	<b>20</b>
<i>POWER ASSEMBLY PARTS</i> .....	21
<b>CONTROL BOARD MOUNT ASSEMBLY</b> .....	<b>22</b>
<i>CONTROL BOARD MOUNT ASSEMBLY PARTS LIST</i> .....	23
<b>PLASTIC TRAY ASSEMBLY</b> .....	<b>24</b>
<i>PLASTIC TRAY ASSEMBLY PARTS LIST</i> .....	25
<b>STEEL TRAY ASSEMBLY</b> .....	<b>26</b>
<i>STEEL TRAY ASSEMBLY PARTS LIST</i> .....	27
<b>CONDENSER FAN ASSEMBLY</b> .....	<b>28</b>
<i>CONDENSER FAN ASSEMBLY PARTS LIST</i> .....	28
<b>REFRIGERATION MODULE ASSEMBLY</b> .....	<b>29</b>
<i>REFRIGERATION MODULE PARTS LIST</i> .....	30
<b>REFRIGERATION BASE ASSEMBLY</b> .....	<b>31</b>
<i>REFRIGERATION BASE ASSEMBLY PARTS LIST</i> .....	32
<b>INSULATION BARRIER ASSEMBLY</b> .....	<b>33</b>
<i>INSULATION BARRIER ASSEMBLY PARTS</i> .....	33
<b>DISPENSER MECHANISM ASSEMBLY</b> .....	<b>34</b>
<i>DISPENSER MECHANISM ASSEMBLY PARTS LIST</i> .....	35
<b>GLASS PROTECTOR ASSEMBLY (3518)</b> .....	<b>36</b>
<i>GLASS PROTECTOR ASSEMBLY PARTS LIST (OPTIONAL)</i> .....	36
<b>OPTIONAL SPIRALS</b> .....	<b>37</b>
<b>OPTIONAL PRICE SCROLLS</b> .....	<b>38</b>

## FINAL ASSEMBLY



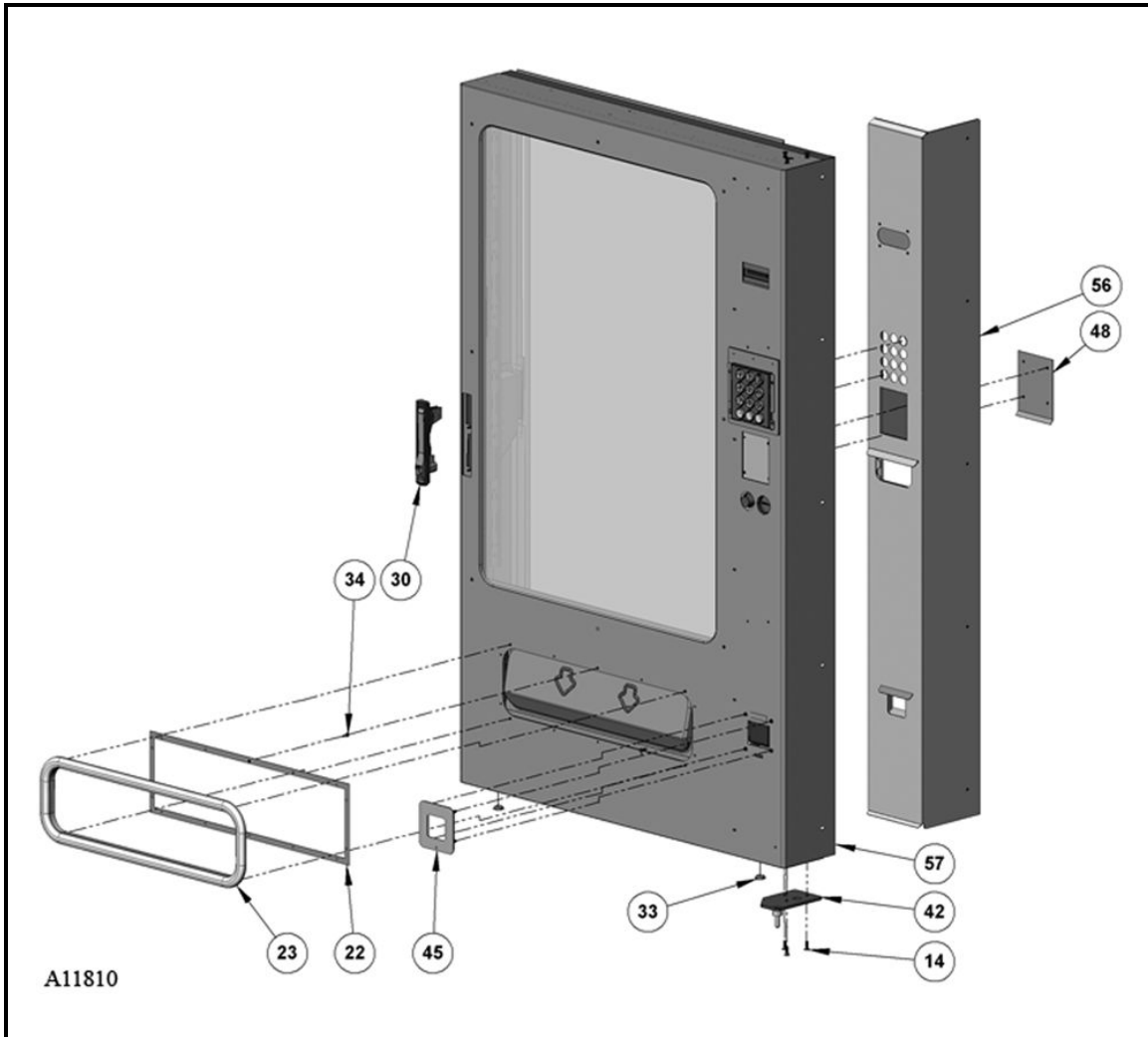
**FINAL ASSEMBLY PARTS LIST**

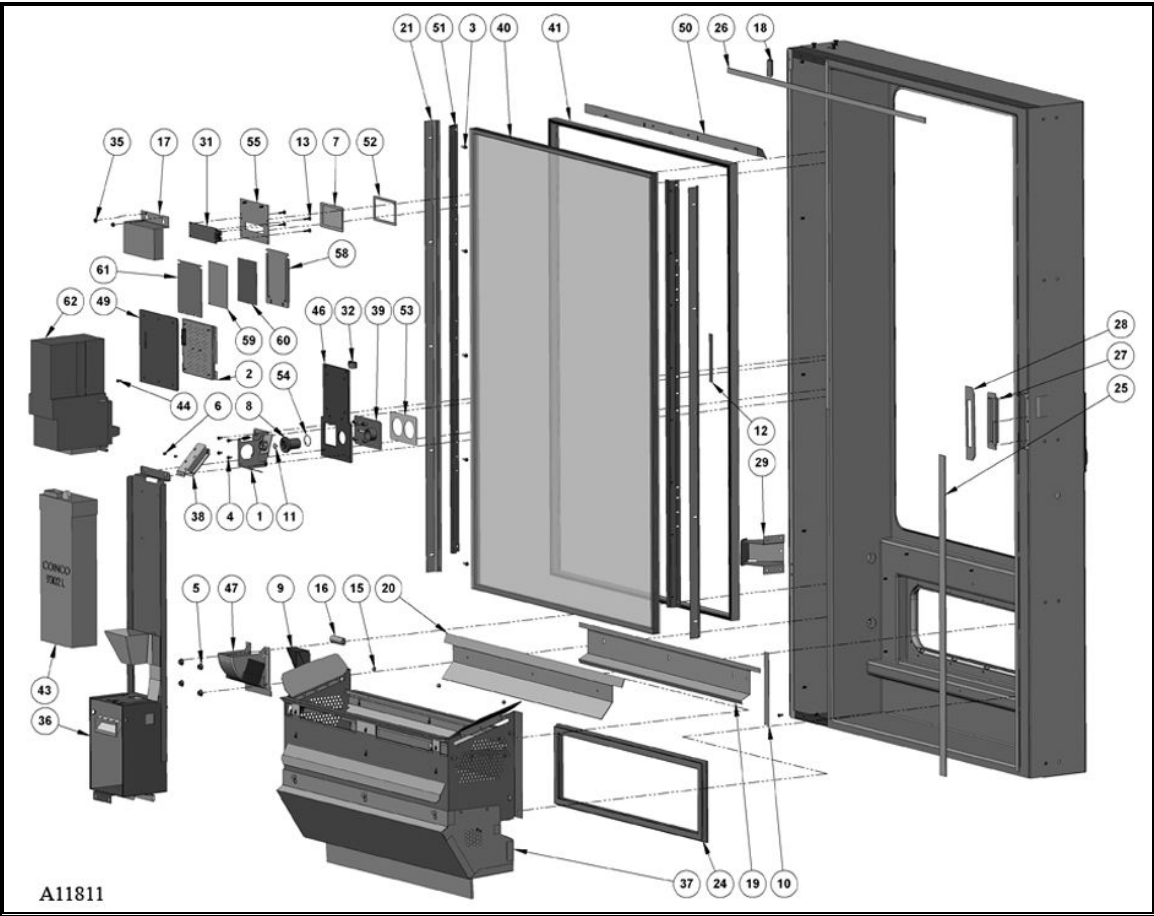
ITEM NO	PART NUMBER	3517	3518	3519	3520	3521	3545	DESCRIPTION
1	SEE PAGE #16	1	1	1	1	1	1	CABINET ASSEMBLY (5W)
2	SEE PAGE #3	1	1	1	1	1	1	DOOR ASSEMBLY (5w)
3	4025610	1	1	1	1	1	1	DOOR GLIDE
4	4050241	1	1	1	1	1	1	8-18 x 3/4 PHIL PD TY
5	4050767	2	2	2	1	1	2	3/8 FLAT WASHER . NYLON BLACK
6	4214140	2	2	2	2	2	2	BOTTOM HINGE PLATE
7	4214306	2	2	2	2	2	2	TOP HINGE SHIM
8	4214821	1	1	1	1	1	1	BOTTOM HINGE COVER
9	4215175	2	2	2	2	2	2	12-18 X 1 HWH TEK SCREW
10	4216012	1	1	1	1	1	1	LEFT LEG HINGE COVER
11	7250135.000	2	2	2	2	2	2	HOLE PLUG BP - 1 3/8"
12	7250135.010	1	1	1	-	-	1	HOLE PLUG-1 1/4
13	8810013	4	4	4	-	-	4	5/16-18 X 1 CARRIAGE BOLT
14	8810015	8	8	8	7	7	8	5/16-18 FLANGE LOCK NUT
15	4060330	1	1	1	1	1	1	LOCK
16	1216660	1	1	1	1	1	1	TOP HINGE WELD
17	1216649	1	1	1	1	1	1	LEG EXTENSION ASSEMBLY
18	1216649.001	1	1	1	1	1	1	LEG EXTENSION ASSEMBLY
19	4214155	2	2	2	2	2	2	LEG FASTENING PLATE
20	1214704.001	2	2	2	1	1	2	LEG ASSEMBLY
21	1216914	1	1	1	1	1	1	HINGE REINFORCEMENT WELD
22	1216914.001	1	1	1	1	1	1	HINGE REINFORCEMENT WELD
23	8810036	2	2	2	2	2	2	5/16-18 x 1" HWH TYPE-23
24	8801388	8	8	8	8	8	8	5/16-18 x 3/4 HWH TYPE-1
25	SEE PAGE #36	-	1	-	-	-	-	GLASS PROTECTOR ASSEMBLY
26	4210421.001	-	30	-	-	-	-	RIVET 1/4 %
27	4213532	-	AR	-	-	-	-	D-GASKET
28	4215382	-	8	-	-	-	-	10-24 X 3/8 SS PINNED TORX
29	4215383	-	2	-	-	-	-	10-24 HEX NUT INSERT
30	4215733	-	1	-	-	-	-	LATCH SIDE ANTI CHEAT
31	4215736	-	2	-	-	-	-	CABINET BRACE
32	4215771	-	1	-	-	-	-	WATER DEFLECTOR
33	4050072	-	-	-	3	3	-	5/16-18X3/4 HHCS PLATED
34	4215119.001	-	1	-	-	-	-	1/8 X 1 FOAM TAPE
35	4215119.002	-	1	-	-	-	-	1/16 X 1/2 FOAM TAPE
36	1217174	-	1	-	-	-	-	RAIN GUARD WELD
37	4215119	-	1	-	-	-	-	1/8 X 1/2 FOAM TAPE

**LIST OF PARTS NOT SHOWN**

38	4216016	1	1	1	1	1	1	GFCI POWER CORD
39	4215204	1	1	-	-	-	-	GLASS JUMPER
40	4212981	-	1	-	-	-	-	AMP 1 . 480698-0 PLUG-2 PIN

## DOOR ASSEMBLY





**DOOR ASSEMBLY PARTS LIST**

ITEM NO	PART NUMBER	3517	3518	3519	3520	3521	3545	DESCRIPTION
1	1216187	1	1	1	1	1	1	COIN RETURN LEVER MECHANISM
2	1216670	1	1	1	1	1	1	KEY PAD ASSEMBLY
3	4050202.001	10	10	10	10	10	1	8-18 x 1/2 PHIL HWH TEK
4	4050423	12	13	13	13	13	13	8-18X3/8 PHIL PH TY-A
5	4050747	4	-	4	4	4	4	1/4 STAMPED NUT
	4050547	-	4	-	-	-	-	1/4-20 TWIN WHIZ NUT
6	4201942	2	2	2	2	2	2	6-20 X 3/16 PHIL PH TYP B
7	4202841.009	1	1	1	1	1	1	READOUT WINDOW/BLUE
8	4203187	1	1	1	1	1	1	COIN RETURN BUTTON
9	4203208	1	1	1	1	1	1	COIN CUP DOOR
10	4208565	12	12	12	12	12	1	3/4" DOUBLE FACED TAPE
11	4209188	1	1	1	1	1	1	SNAP PIN
12	4209845	AR	AR	AR	AR	AR	AR	PROTECTIVE WINDOW SEAL 1/2+
13	4211310.375	4	4	4	4	4	4	STANDOFF
14	4212089	6	6	6	6	6	6	1/4-20 x 3/4 COUNTERSUNK HEAD CAP SCREW
15	4213164.008	3	3	3	3	3	3	8-32 NYLON CAP NUT
16	4213532	AR	AR	AR	AR	AR	AR	D-GASKET
17	4213954	1	1	1	1	1	1	DISPLAY COVER
18	4214028	1	1	1	1	1	1	DOOR SWITCH ACTIVATOR
19	4214115	-	-	-	1	1	-	BOTTOM WINDOW RETAINER (3W)
	4214116	1	1	1	-	-	1	BOTTOM WINDOW RETAINER (5W)
20	4214117	-	-	-	1	1	-	BOTTOM WINDOW DEFLECTOR(3W)
	4214118	1	1	1	-	-	1	BOTTOM WINDOW DEFLECTOR(5W)
21	4214136	1	-	-	-	-	-	SIDE WINDOW RETAINER
22	4214153	-	-	-	1	1	-	DELIVERY GASKET RETAINER (3W)
	4214154	1	1	1	-	-	1	DELIVERY GASKET RETAINER (5W)
23	4214609.003	-	-	-	1	1	-	DELIVERY BEZEL (3W)
	4214609.005	1	1	1	-	-	1	DELIVERY BEZEL (5W)
24	4215090.003	-	-	-	1	1	-	MAGNETIC GASKET (3W)
	4215090.005	1	1	1	-	-	1	MAGNETIC GASKET (5W)
25	4215119.001	AR	AR	AR	AR	AR	AR	1/8 X 1 FOAM TAPE
26	4215119	AR	AR	AR	AR	AR	AR	1/8 X 1/2 FOAM TAPE
27	4215176	1	1	1	1	1	1	DOOR HANDLE FILLER
28	4215177	1	1	1	1	1	1	HANDLE OPENING GASKET
29	4215773	1	1	1	1	1	1	TRAY DEFLECTOR
30	4215971	1	1	1	1	1	1	DOOR HANDLE
31	4216028	1	1	1	1	1	1	VF DISPLAY, RIGHT ANGLE
32	7090002.713	3	3	3	3	3	3	3/4 CABLE CLAMP
33	7250135.003	2	2	2	2	2	2	HOLE PLUG-BPF 3/4
34	8800636	14	14	14	-	-	14	8-18 x 1/2 PH PHIL TY-B
35	8800956	34	34	34	34	34	34	8-32 HEX NUT W/ETW

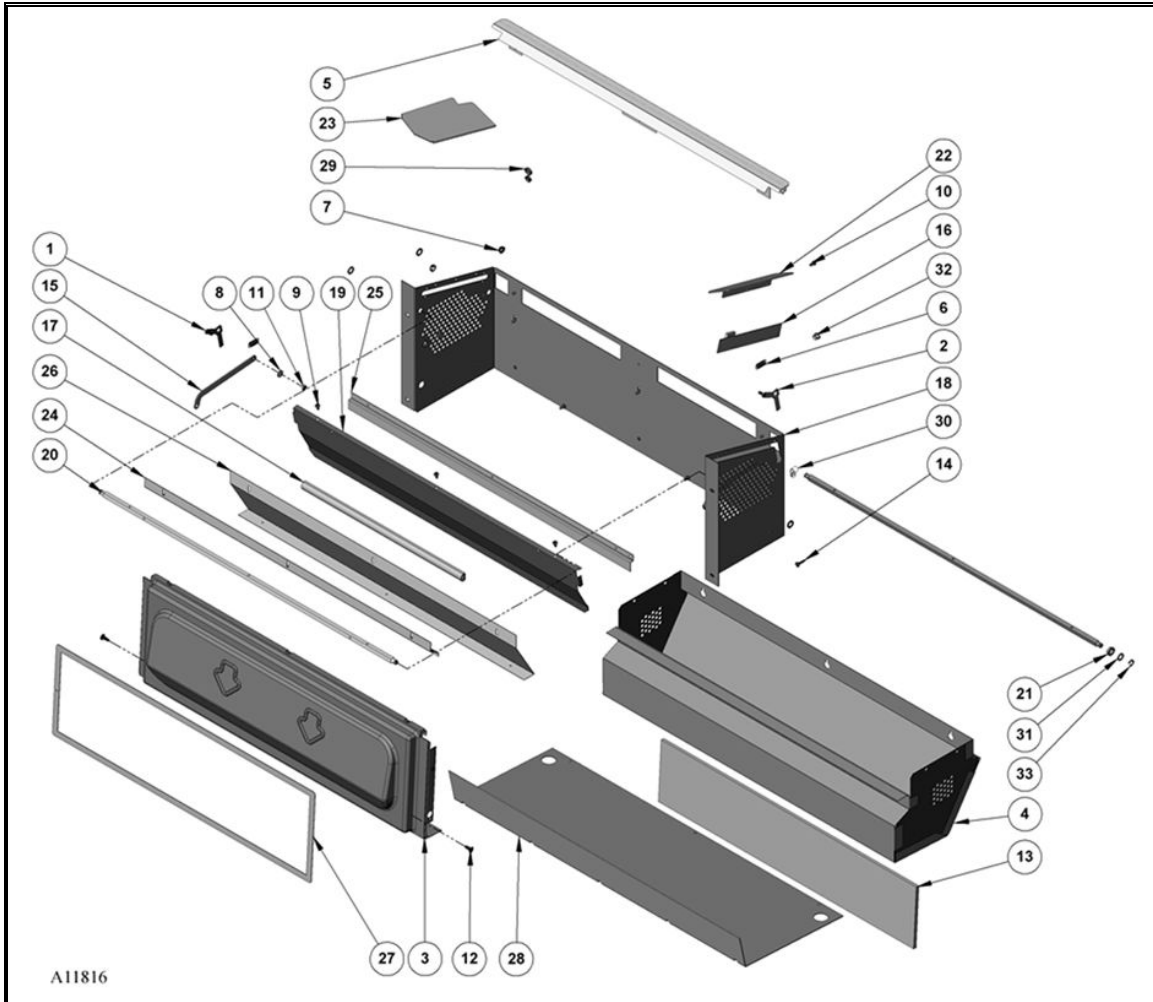
36	1216793	1	1	1	1	1	1	COIN BOX OPTION
37	<a href="#">SEE PAGE #7</a>	1	1	1	1	1	1	DELIVERY BOX ASSEMBLY (5W)
38	1212097	1	-	1	1	1	1	COIN CHUTE WELD
	1215694	-	1	-	-	-	-	
39	4203186.004	1	-	1	1	1	1	COIN INSERT BLACK 1 1/8
	4203186.026	-	1	-	-	-	-	COIN INSERT BLACK 1 3/8
40	4213919.018	-	-	-	1	1	-	TRIPLE PANE GLASS
	4213919.014	1	1	-	-	-	-	
	4213919.020	-	-	1	-	-	1	
41	4213933.014	1	1	1	-	-	1	WINDOW GASKET - TRIPLE PANE
	4213933.012	-	-	-	1	1	1	
42	1216661	1	1	1	1	1	1	BOTTOM HINGE WELD
43	OPTIONAL	1	1	1	1	1	1	COIN MECHANISM
44	4050240	1	1	1	1	1	1	8-32 x 3/8 PHIL PH MS
45	4203207	1	-	1	1	1	1	COIN CUP/BLACK
	1217210	-	1	-	-	-	-	COIN CUP BEZEL WELD
46	4210954	1	-	1	1	1	1	INSERT MOUNT
	<a href="#">SEE PAGE #14</a>	-	1	-	-	-	-	COIN INSERT RETAINER ASSEMBLY
47	4203209	1	-	1	1	1	1	COIN CUP BEZEL
	<a href="#">SEE PAGE #14</a>	-	1	-	-	-	-	COIN CUP ASSEMBLY
48	<a href="#">SEE PAGE #15</a>	-	1	-	-	-	-	VALIDATOR FILLER ASSEMBLY
49	<a href="#">SEE PAGE #15</a>	-	1	-	-	-	-	KEYPAD ACCESS ASSEMBLY
50	<a href="#">SEE PAGE #10</a>	1	-	-	-	-	-	LIGHT ASSEMBLY
	<a href="#">SEE PAGE #11</a>	-	1	1	-	-	1	TOP LED ASSEMBLY
51	<a href="#">SEE PAGE #12</a>	-	2	2	2	2	2	LED SIDE ASSEMBLY
52	4212108	-	1	-	1	1	-	READOUT WINDOW GASKET
53	4215820	-	1	-	-	-	-	COIN INSERT GASKET
54	4215824	-	1	-	-	-	-	O-RING
55	4213953	1	-	1	1	1	1	DISPLAY MOUNT
	4216878.001	-	1	-	-	-	-	DISPLAY MOUNT W/STUDS
56	4215820	1	-	1	1	1	1	SELECTOR PANEL WELD
	<a href="#">SEE PAGE #13</a>	-	1	-	-	-	-	SELECTOR PANEL COVER ASSEMBLY
57	1216674	1	-	1	-	-	1	DOOR FOAM ASSEMBLY (5W)
	1217475	-	1	-	-	-	-	
	1216623.001	-	-	-	1	1	-	
58	4209639	1	-	1	1	1	1	VALIDATOR FILLER
59	4209656.001	1	-	1	1	1	1	POP PLATE
60	4210396	1	-	1	1	1	1	FILLER DECAL
61	4201907.001	1	-	1	1	1	1	VALIDATOR PLATE
62	OPTIONAL	1	-	-	1	1	-	BILL VALIDATOR

**LIST OF PARTS NOT SHOWN**

63	4216812	1	1	1	1	1	1	DOOR HARNESS
64	4216649.001	-	-	-	1	1	-	LED POWER HARNESS



### DELIVERY BOX ASSEMBLY

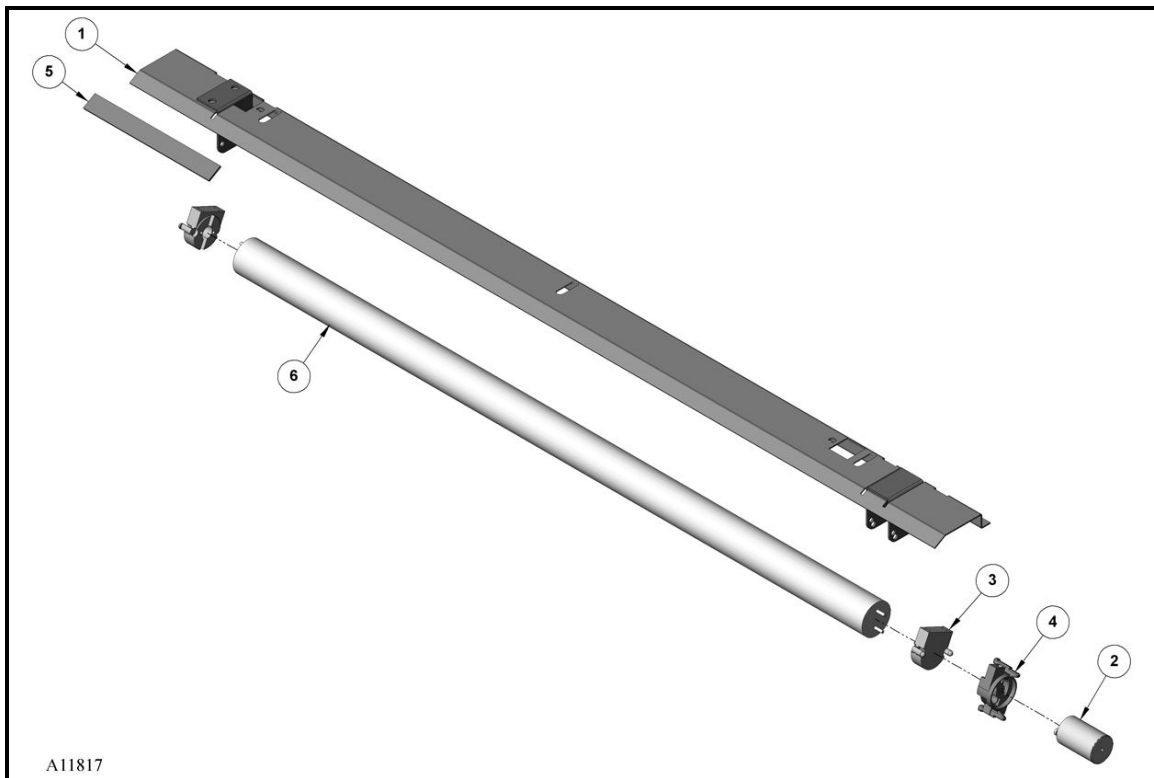


**DELIVERY BOX ASSEMBLY PARTS LIST**

ITEM NO	PART NUMBER	3517	3518	3519	3520	3521	3545	DESCRIPTION
1	1216111.001	1	1	1	1	1	1	ANTI-CHEAT LINK STAKE
2	1216111.002	1	1	1	1	1	1	ANTI-CHEAT LINK STAKE
3	1216626.001	1	1	1	-	-	1	DELIVERY DOOR FOAM ASSEMBLY 5W
	1216667.001	-	-	-	1	1	-	DELIVERY DOOR FOAM ASSEMBLY 3W
4	1216693.005	1	1	1	-	-	1	DELIVERY BOX BOTTOM WELD 5W
	1216693.003	-	-	-	1	1	1	DELIVERY BOX BOTTOM WELD 3W
5	1216851	1	1	1	-	-	1	DELIVERY BACK DEFLECTOR 5W
	1216850	-	-	-	1	1	-	DELIVERY BACK DEFLECTOR 3W
6	4021020	2	2	2	2	2	2	SPRING 9/32 x 1 3/32
7	4025263.001	2	2	2	2	2	2	TYPE #5 NYLINER 5/16 ID
8	4030100	4	4	4	4	4	4	BUSHING SPACER
9	4050239	10	10	10	6	6	10	8-32 x 3/8 PHIL PH TYP . T
10	4050423	19	19	19	17	17	19	8-18 x 3/8 PHIL PH TY-A
11	4050511	4	4	4	4	4	4	8-32 TWO WAY LOCK NUT
12	4205329	2	2	2	2	2	2	ARROW CLIP
13	4205705.004	1	1	1	-	-	1	DELIVERY PAD 4W
	4205705.010	-	-	-	1	1	1	DELIVERY PAD 3W
14	4211310.375	8	8	8	8	8	8	STANDOFF
15	4212462	2	2	2	2	2	2	DELIVERY LINK
16	4212464.010	1	1	1	1	1	1	DELIVERY SENSOR
17	4213532	1	1	1	1	1	1	D-GASKET
18	4214098.001	1	1	1	-	-	1	DELIVERY WRAPPER WITH STUDS 5W
	4214097.001	-	-	-	1	1	1	DELIVERY WRAPPER WITH STUDS 3W
19	4214100	1	1	1	-	-	1	DELIVERY ANTI-CHEAT
	4214099	-	-	-	-	-	1	DELIVERY ANTI-CHEAT 3W
20	4214105	2	2	2	-	-	2	DELIVERY SHAFT (5W)
	4214104	-	-	-	1	1	2	DELIVERY SHAFT (3W)
21	4214112	2	2	2	2	2	2	NYLON SHOULDER BUSHING
22	4214121	1	1	1	1	1	1	RIGHT SIDE DELIVERY DEFLECTOR
23	4214122	1	1	1	1	1	1	LEFT SIDE DELIVERY DEFLECTOR
24	4214146	1	1	1	-	-	1	DELIVERY DOOR STOP (5W)
	4214145	-	-	-	1	1	1	DELIVERY DOOR STOP (3W)
25	4214166	1	1	1	-	-	1	DELIVERY BACK ANTI-THEFT (5W)
	4214165	-	-	-	1	1	1	DELIVERY BACK ANTI-THEFT (3W)
26	4214170	1	1	1	-	-	1	DELIVERY DOOR BACK (5W)
	4214169	-	-	-	1	1	1	DELIVERY DOOR BACK (3W)
27	4215091.005	1	1	1	-	-	1	GASKET RETENTION FRAME 5W
	4215091.003	-	1	-	1	1	1	GASKET RETENTION FRAME 3W
28	4215097.005	1	1	1	-	-	1	DELIVERY BOX FLOOR 5W FORMED
	4215097.003	-	-	-	1	1	1	DELIVERY BOX FLOOR 3W FORMED
29	4215272	2	2	2	2	2	2	HINGED SCREW COVER

30	8324099.2	2	2	2	2	2	2	CLAMP 1/4+
31	8324353	8	8	8	8	8	8	5/16 ID FLAT WASHER
32	8330164	3	3	3	3	3	3	8-32 THUMB NUT - BRASS
33	8801080	4	4	4	4	4	4	E-RING 5/16

## LIGHT ASSEMBLY (OPTIONAL)



A11817

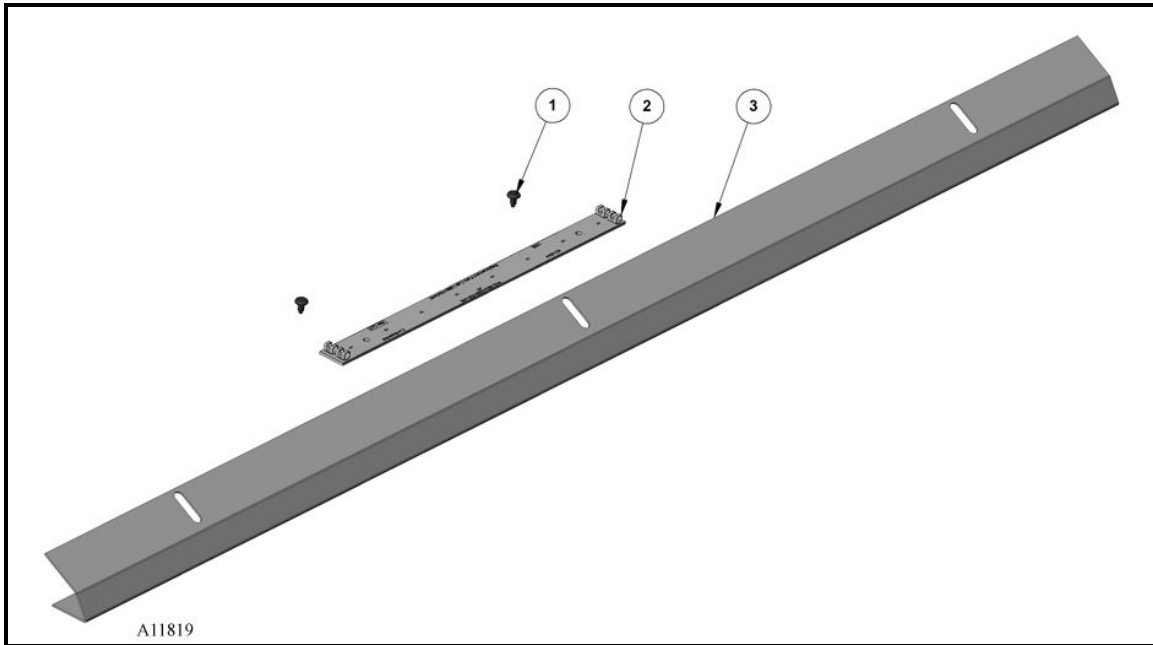
### LIGHT ASSEMBLY PARTS LIST (OPTIONAL)

ITEM NO	PART NUMBER	3517	3518	3519	3520	3521	3545	DESCRIPTION
1	1216672	1	-	-	-	-	-	LIGHT WELD (5W)
2	4033661	1	-	-	-	-	-	STARTER FS-25
3	4207171	2	-	-	-	-	-	LAMP SOCKET
4	4208884	1	-	-	-	-	-	STARTER SOCKET
5	4209845	AR	-	-	-	-	-	PROTECTIVE WINDOW SEAL ½+
6	4034135	1	-	-	-	-	-	LAMP 24"

#### LIST OF PARTS NOT SHOWN

7	4214353.005	1	-	-	-	-	-	LIGHT HARNESS (5W)
---	-------------	---	---	---	---	---	---	--------------------

## TOP LED ASSEMBLY (3518)



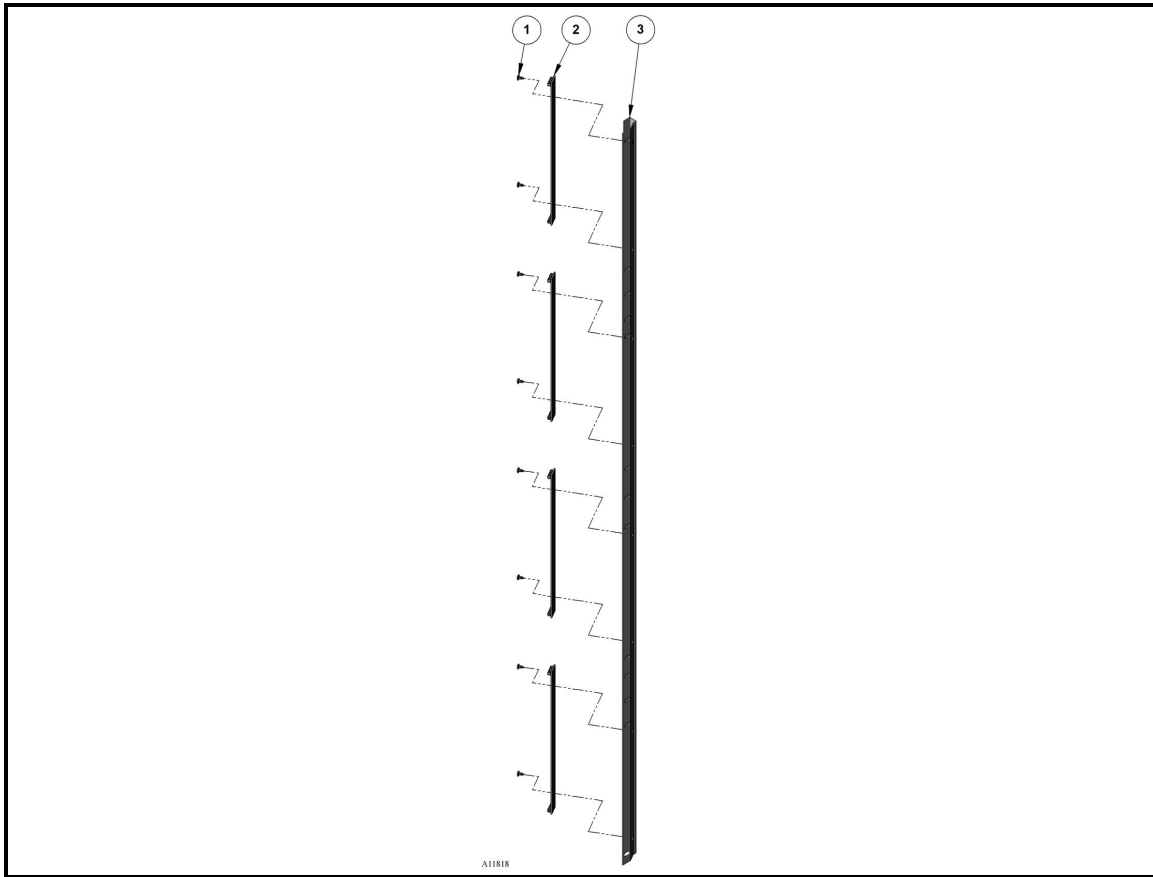
### TOP LED ASSEMBLY PARTS LIST (3518)

ITEM NO	PART NUMBER	3517	3518	3519	3520	3521	3545	DESCRIPTION
1	4215561.014	-	2	2	-	-	2	SNAP RIVET/BLACK 1/8
2	4216544	-	1	1	-	-	1	LED LIGHT ENGINE
3	4216877	-	1	1	-	-	1	LED TOP PLATE

#### LIST OF PARTS NOT SHOWN

4	4216692	-	4	4	-	-	4	0.187 WIRE ASSEMBLY
---	---------	---	---	---	---	---	---	---------------------

## LED SIDE ASSEMBLY (OPTIONAL)



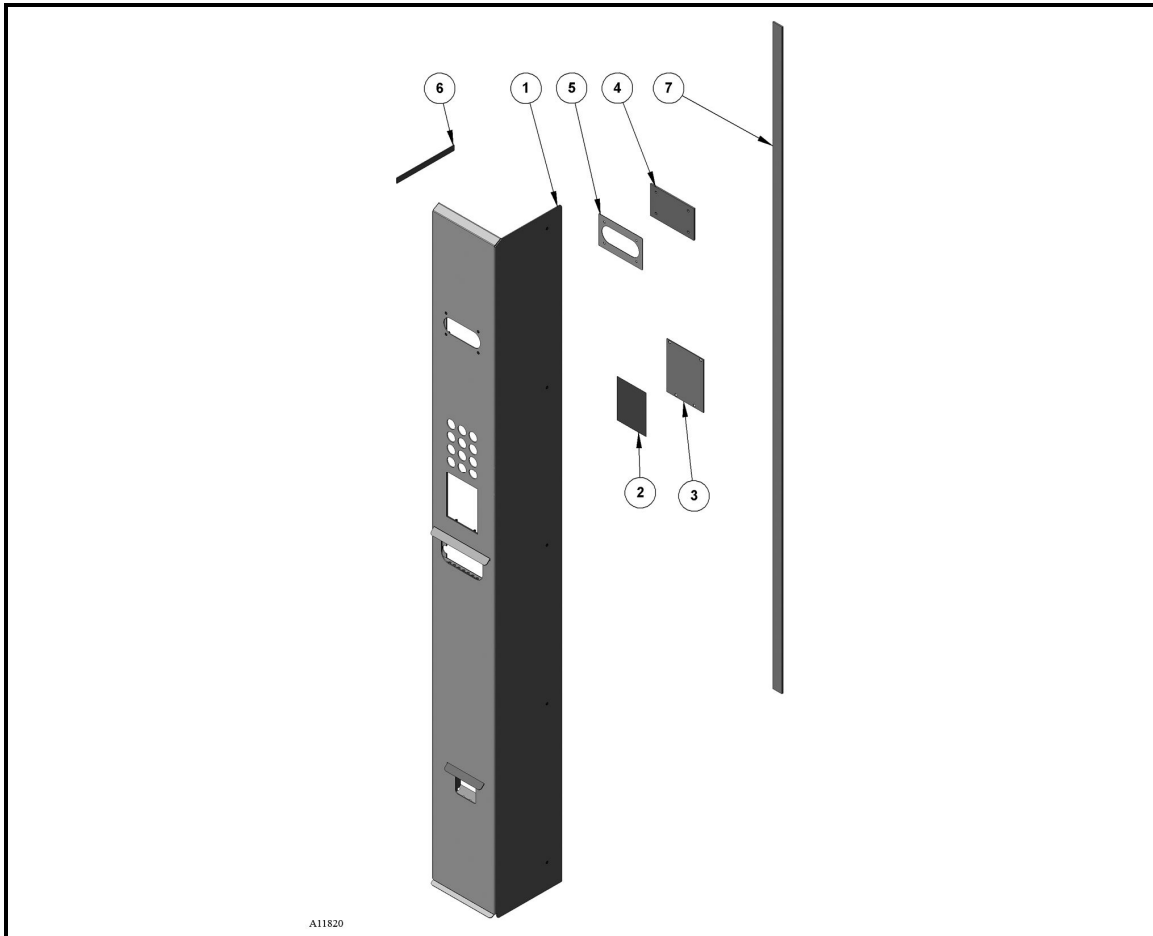
## LED SIDE ASSEMBLY PARTS LIST (OPTIONAL)

ITEM NO	PART NUMBER	3517	3518	3519	3520	3521	3545	DESCRIPTION
1	4215561.014	-	8	8	8	8	8	SNAP RIVET/BLACK 1/8
2	4216544	-	4	4	4	4	4	LED LIGHT ENGINE
3	4216820	-	2	2	2	2	2	LED MOUNT

### LIST OF PARTS NOT SHOWN

4	4216691	-	4	4	4	4	4	TAB WIRE ASSEMBLY
5	4216693.004	-	6	6	6	6	6	20 GA WIRE/BLACK-3.75"

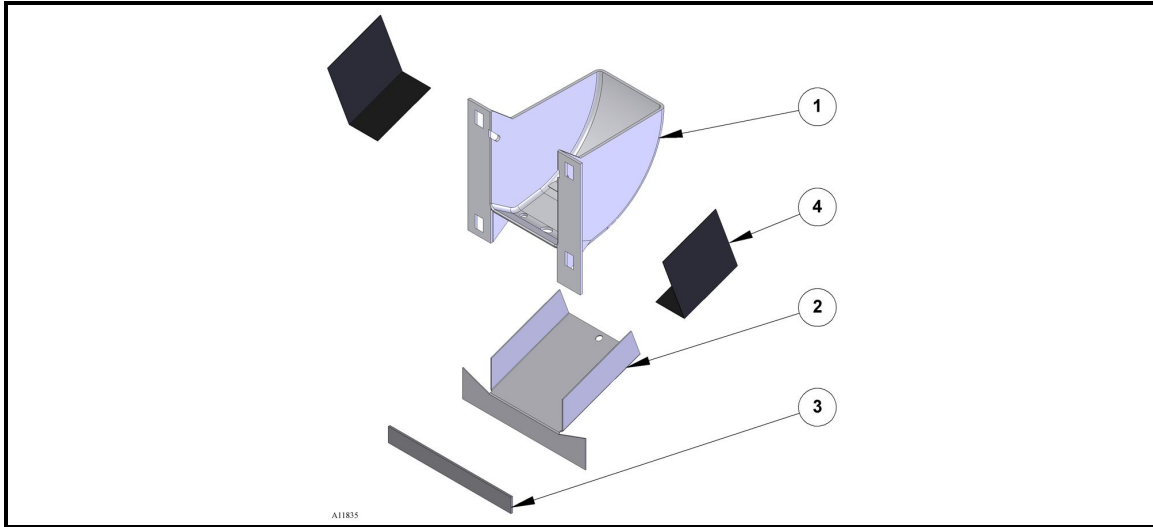
## SELECTOR PANEL COVER ASSEMBLY (3518)



## SELECTOR PANEL COVER ASSEMBLY PARTS LIST (3518)

ITEM NO	PART NUMBER	3517	3518	3519	3520	3521	3545	DESCRIPTION
1	1217477	-	1	-	-	-	-	SELECTOR PANEL COVER WELD
2	4210396.011	-	1	-	-	-	-	FILLER DECAL . IVEND SPAN
3	4215704.001	-	1	-	-	-	-	WATER SHIELD BACKER
4	4215737	-	1	-	-	-	-	DISPLAY WINDOW
5	4215899	-	1	-	-	-	-	DISPLAY WINDOW GASKET
6	4215119.001	-	AR	-	-	-	-	FOAM TAPE
7	4215119.002	-	AR	-	-	-	-	FOAM TAPE

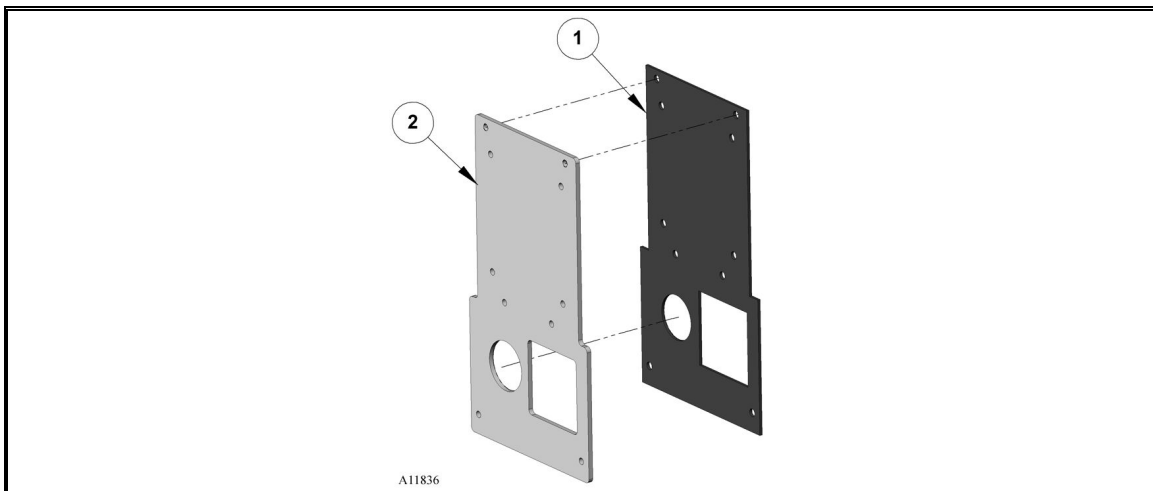
### COIN CUP ASSEMBLY (3518)



#### COIN CUP ASSEMBLY PARTS LIST (OPTIONAL)

ITEM NO	PART NUMBER	3517	3518	3519	3520	3521	3545	DESCRIPTION
1	4203207	-	1	-	-	-	-	COIN CUP
2	4215823	-	1	-	-	-	-	COIN CUP DRAIN BRACKET
3	4215119	-	AR	-	-	-	-	½+FOAM TAPE
4	4212649	-	AR	-	-	-	-	2+ALUMINUM TAPE
5	R.3994	-	AR	-	-	-	-	SEAL-MASTIC PERMAGUM (NOT SHOWN)

### COIN INSERT RETAINER ASSEMBLY (3518)

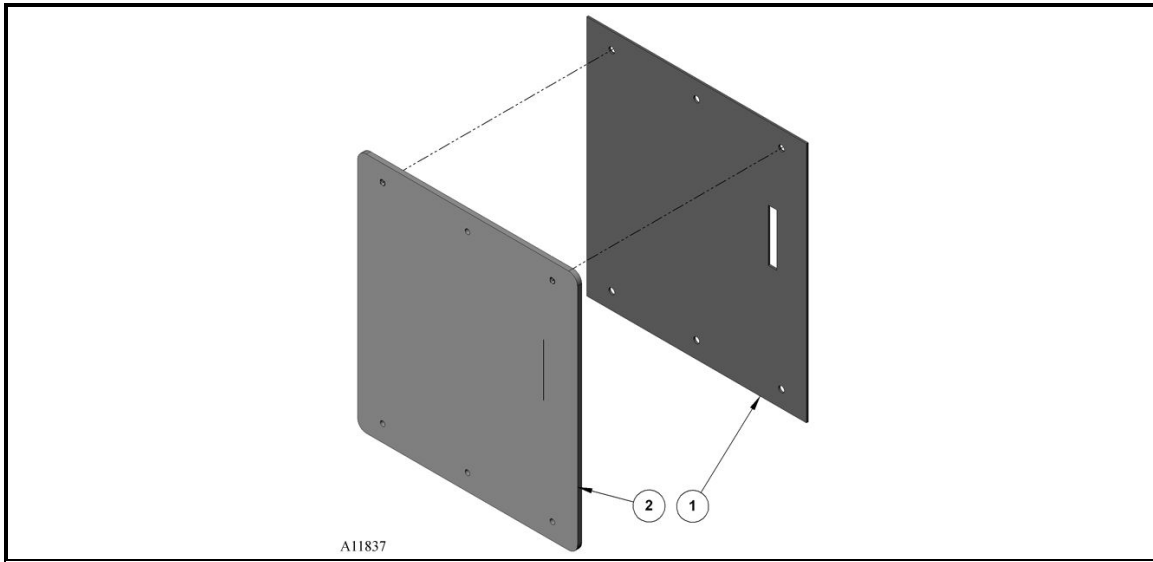


#### COIN CUP ASSEMBLY PARTS LIST (OPTIONAL)

ITEM NO	PART NUMBER	3517	3518	3519	3520	3521	3545	DESCRIPTION
1	4215844	-	1	-	-	-	-	COIN INSERT MOUNT
2	4215896	-	1	-	-	-	-	INSERT PLATE GASKET



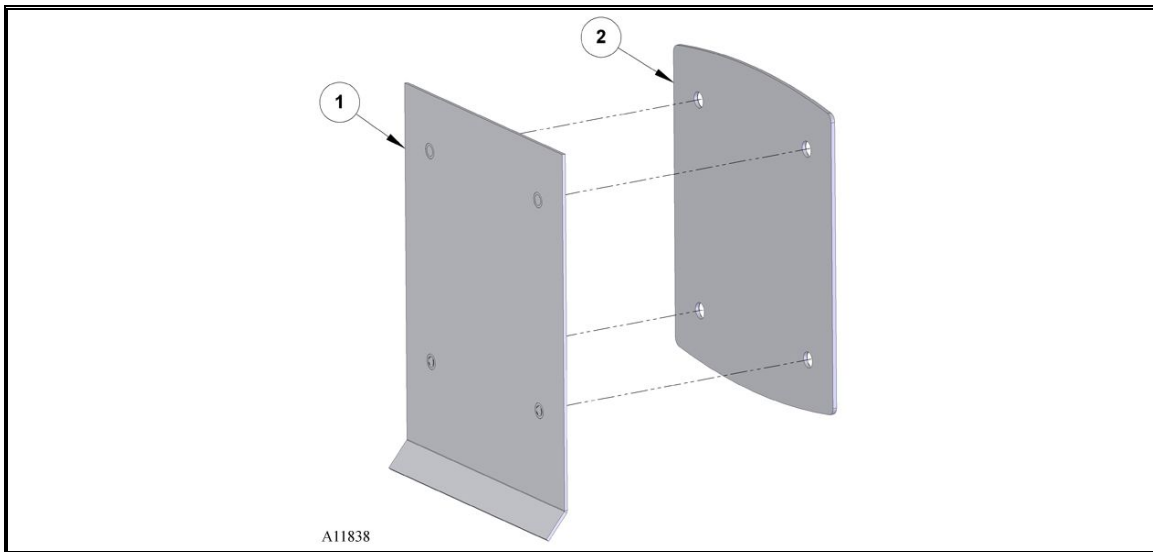
### KEYPAD ACCESS ASSEMBLY (3518)



#### COIN CUP ASSEMBLY PARTS LIST (OPTIONAL)

ITEM NO	PART NUMBER	3517	3518	3519	3520	3521	3545	DESCRIPTION
1	4216018	-	1	-	-	-	-	KEYPAD ACCESS PANEL
2	4216668	-	1	-	-	-	-	ACCESS PANEL GASKET

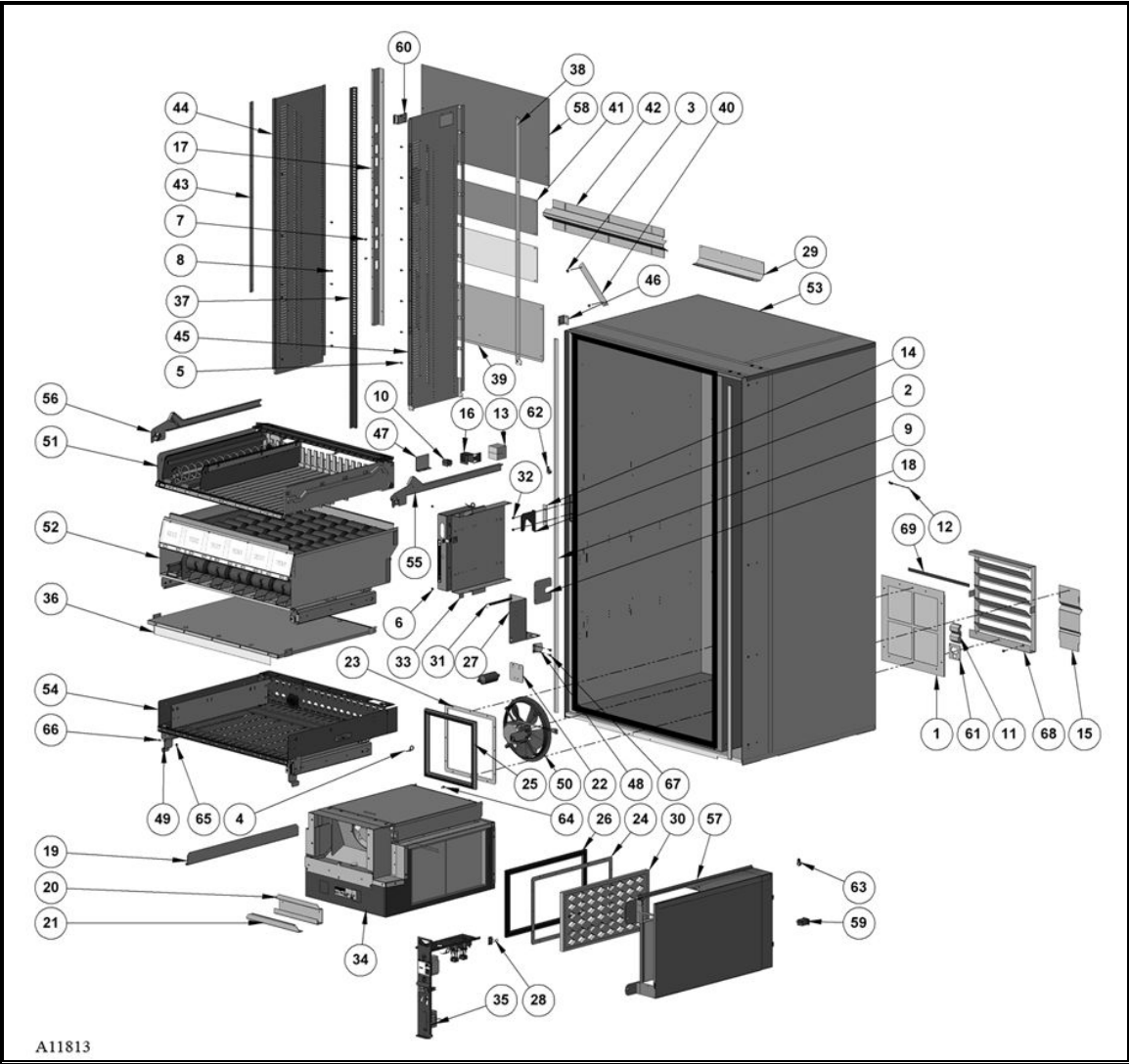
### VALIDATOR FILLER ASSEMBLY (3518)



#### COIN CUP ASSEMBLY PARTS LIST (OPTIONAL)

ITEM NO	PART NUMBER	3517	3518	3519	3520	3521	3545	DESCRIPTION
1	4215843.001	-	1	-	-	-	-	VALIDATOR FILLER
2	4215897	-	1	-	-	-	-	VALIDATOR FILLER GASKET

# CABINET ASSEMBLY



A11813

**CABINET ASSEMBLY PARTS LIST**

ITEM NO	PART NUMBER	3517	3518	3519	3520	3521	3545	DESCRIPTION
1	1217222	1	1	1	1	1	1	SCREEN WELD
2	1217256	1	1	1	1	1	1	HANDLE HOOK WELD
3	4030100	2	2	2	1	2	1	BUSHING SPACER
4	4033712	3	3	3	3	3	3	CABLE TIE 7 3/8+
5	4050241.001	10	10	10	10	10	10	8-18 x 3/4 PHIL PD TY
6	4050420.001	5	5	5	5	5	5	8-18 x 3/4 PHIL HWH TY
7	4050423	25	25	25	25	25	25	8-18X3/8 PHIL PH TY-A
8	4050423.001	10	10	10	10	10	10	8-18 x 3/8 PHIL PH TY-A
9	4211555	AR	AR	AR	-	-	AR	BEVELED FOAM GASKET 3/4
10	4212621	1	1	1	-	-	1	SWITCH
11	4213628	1	1	1	1	1	1	FERRITE BEAD SNAP FIT
12	4213784	1	1	1	1	1	1	PUSH BUTTON WIRE TIE
13	4214006	3	3	1	1	3	3	HARNESS INSULATION BLOCK
14	4214127	1	1	1	1	1	1	HANDLE HOOK PLATE
15	4214198	1	1	1	1	1	1	CONNECTION BOX COVER
16	4214214	1	1	1	-	-	1	DOOR SWITCH MOUNT
17	4214286	2	2	2	2	1	2	AIR DUCT MOUNT
18	4214768	3	3	3	3	3	3	HARNESS OPENING COVER
19	4214968	1	1	1	-	-	1	REFER TIE DOWN
20	4215060	1	1	1	1	1	1	MODULE FRONT HOLD DOWN
21	4215061	1	1	1	1	1	1	MODULE RETAINING BRACKET
22	4215162	1	1	1	1	1	1	DOOR HARNESS PLATE
23	4215206	1	1	1	1	1	1	SIDE GASKET RETAINER
24	4215207	1	1	1	1	1	1	SIDE GASKET RETAINER
25	4215210	1	1	1	1	1	1	GASKET
26	4215210.001	1	1	1	1	1	1	GASKET
27	4215397	1	1	1	1	1	1	HARNESS PLUG MOUNT
28	4215633	1	1	1	1	1	-	MEDIUM BINDER CLIP
	4215633.001	1	1	1	-	-	2	SMALL BINDER CLIP
29	4215799	1	1	1	1	1	1	AIR BAFFLE BACK
30	4215940	4	4	4	4	1	1	AIR FILTER
31	8361468	1	1	1	1	1	1	SPRING-BAR RETAINER
32	8800952	2	2	2	2	2	2	10-32 HEX NUT W/ETW
33	<a href="#">SEE PAGE#22</a>	1	1	1	1	1	1	CONTROL BOARD MOUNT ASSEMBLY
34	<a href="#">SEE PAGE#28</a>	1	1	1	1	1	1	REFER MODULE ASSEMBLY
35	<a href="#">SEE PAGE#20</a>	1	1	1	1	1	1	POWER PANEL ASSEMBLY
36	<a href="#">SEE PAGE#33</a>	1	1	-	1	-	-	INSULATION BARRIER ASSEMBLY
37	4214270	1	1	1	1	-	1	BACK RAIL SUPPORT LEFT
38	4214271	1	1	1	1	-	1	BACK RAIL SUPPORT RIGHT
39	4214301	1	-	-	-	-	-	BOTTOM AIR BLOCK (TRAYS)
	4214287	-	1	1	-	-	1	BOTTOM AIR BLOCK (CAN MECH.)

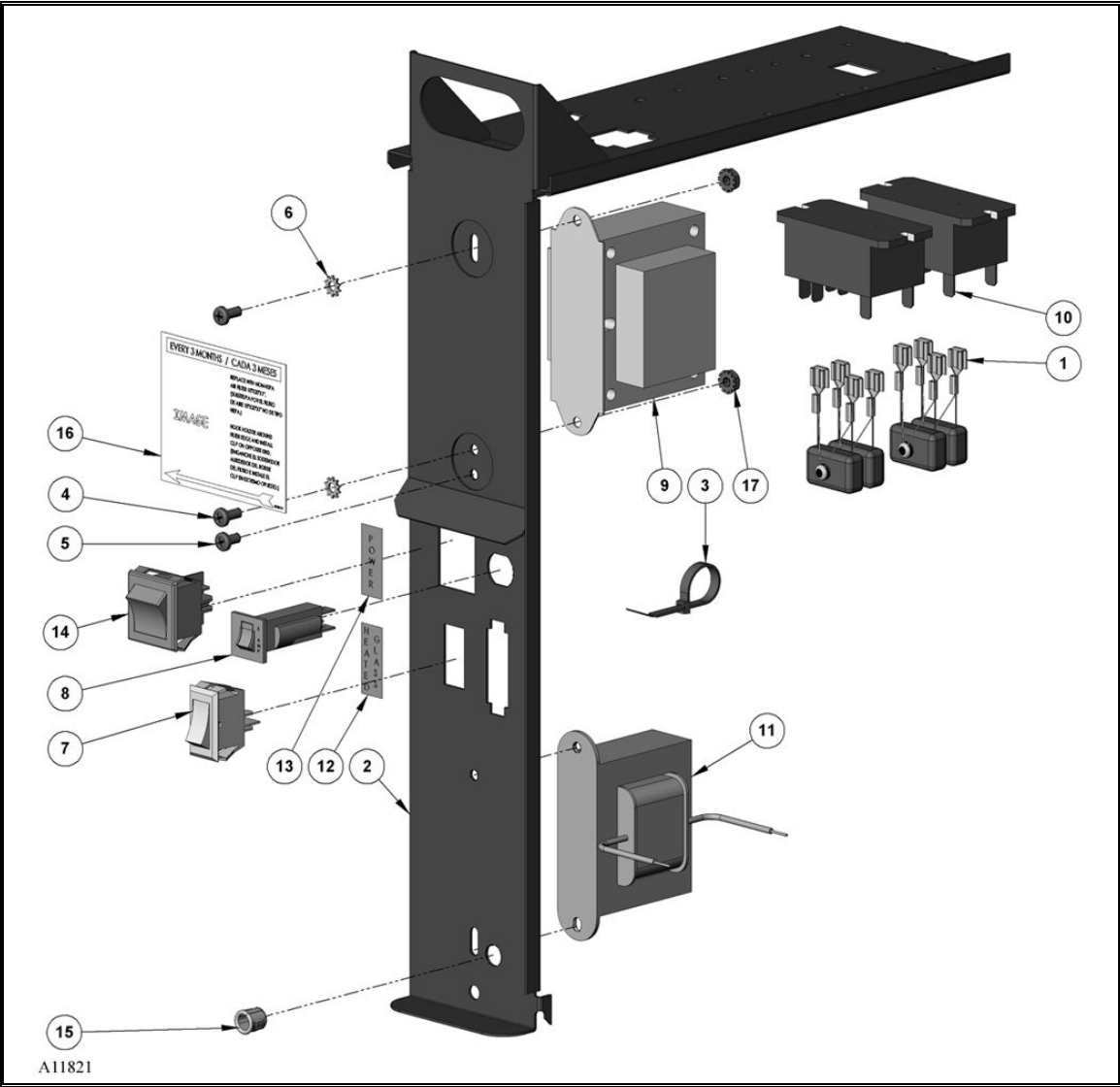
	4214748	-	-	-	1	-	-	BOTTOM AIR BLOCK /3W(TRAYS)
	4214751	-	-	-	-	1	-	BOTTOM AIR BLOCK (CAN MECH/3W)
40	4214295	1	1	1	-	-	1	AIR DIVERTER
41	4214302	-	2	-	-	-	-	MIDDLE AIR BLOCK (5W)
42	4214303	1	1	-	-	-	-	AIR DEFLECTOR (5W)
	4214750	-	-	-	1	-	-	AIR DEFLECTOR (3W)
43	4214603	-	4	-	-	-	-	TRAY SUPPORT SHIM - SHORT
44	4214002	1	-	1	1	1	-	LEFT RAIL SUPPORT
	4214601	-	1	-	-	-	-	
	4216781	-	-	-	-	-	1	
	4214979	1	-	-	1	1	-	
45	4214602	-	1	-	-	-	-	RIGHT RAIL SUPPORT
	4216782	-	-	-	-	-	1	
46	4214747	1	1	1	1	1	1	SENSOR MOUNT
47	4215179	1	1	1	1	-	1	MOTOR HARNESS BRACKET
48	4216787	-	2	-	-	-	2	HCT LATCH
49	4216788	-	2	-	-	-	2	HCT SLIDE STOP
50	<a href="#">SEE PAGE#28</a>	1	1	1	1	1	1	CONDENSER FAN ASSEMBLY
51	<a href="#">SEE PAGE#24</a>	1	1	1	1	1	1	DZ5000G2 TRAY CFG #11520
52	<a href="#">SEE PAGE#34</a>	-	1	-	-	-	1	DISPENSER MECHANISM ASSEMBLY
	1217170.001	1	-	1	-	-	1	
53	1217170	-	1	-	-	-	-	CABINET FOAM ASSEMBLY
	1216656.001	-	-	-	1	1	-	
54	<a href="#">SEE PAGE#26</a>	1	1	1	-	-	1	TRAY ASSEMBLY (5W)
55	1215925	4	3	2	-	-	-	RAIL ASSEMBLY LONG RIGHT
56	1215925.001	4	3	2	-	-	-	RAIL ASSEMBLY LONG LEFT
57	1216724	1	1	1	1	1	1	BOTTOM CABINET ENCLOSURE WELD
58	4214288	-	1	-	-	-	-	TOP AIR BLOCK (5W)
59	4212490.002	1	1	1	1	1	1	RFI FILTER IEC SOCKET 15AMP
60	4215180	AR	AR	AR	AR	AR	AR	TRAY HARNESS BRACKET
61	4201333.006	1	1	1	1	1	-	FILLER PLATE/USD PLUG
62	4215909	1	1	1	1	1	1	OPEN P-CLAMP
63	4203468	1	1	1	1	1	1	SNAP IN CLIP
64	4050202	-	1	-	-	-	1	8-18 x 1/2 PHIL HWH TEK
65	8800956	-	7	-	-	-	7	8-32 HEX NUT W/ETW
66	4050240	-	1	-	-	-	1	8-32 x 3/8 PHIL PH MS
67	8800638	8	8	8	8	8	8	10-16 x 3/8 PHIL PH TYPE
68	4215819	1	1	1	1	1	1	BACK SCREEN COVER
69	4215119.002	AR	AR	AR	AR	AR	AR	1/16 X 1/2 FOAM TAPE

**LIST OF PARTS NOT SHOWN**

70	4216812	1	-	-	-	-	-	TEMPERATURE SENSOR HARNESS
	4215376	-	1	1	1	1	1	
71	4216020	1	1	1	1	1	1	MOTOR HARNESS

72	4214357	1	1	1	1	1	1	LIGHT/GLASS HEATER HANESS
73	4214359	1	1	1	1	1	1	CABINET CONTROL HARNESS
74	4215084	-	-	-	1	1	-	GVC2 MDB CABINET HARNESS
75	4214684	1	1	1	1	1	1	TEMP SENSOR-CABINET

### POWER ASSEMBLY



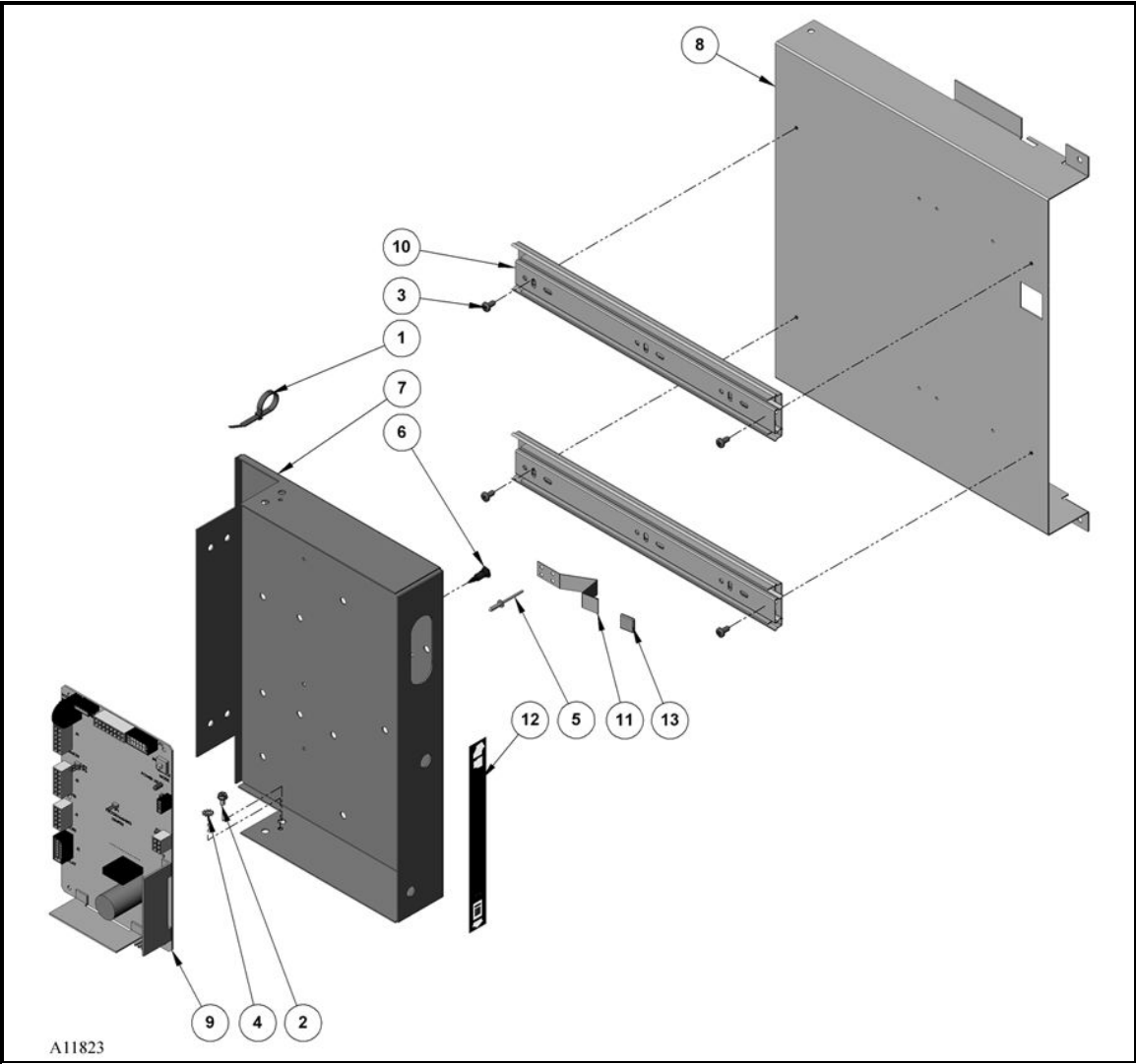
**POWER ASSEMBLY PARTS**

ITEM NO	PART NUMBER	3517	3518	3519	3520	3521	3545	DESCRIPTION
1	1216357	4	4	4	4	4	4	ARC SUPPRESSOR SNUBBER 110V
2	1216783.001	1	1	1	1	1	1	POWER PANEL WELD
3	4033712	2	2	2	2	2	2	CABLE TIE 7 3/8+
4	4050240	9	9	9	9	9	9	8-32 x 3/8 PHIL PH MS
5	4050423	1	1	1	1	1	1	8-18 x 3/8 PHIL PH TY-A
6	4050585	2	2	2	2	2	2	#8 TOOTH LOCKWASHER
7	4202088	1	1	1	1	2	1	SWITCH ROCKER
8	4203467.003	1	1	1	1	1	1	3 AMP CIRCUIT BREAKER
9	4206570	1	1	1	1	1	1	TRANSFORMER 110V INPUT/24V
10	4206643	2	2	2	2	2	2	RELAY DPST 24 VAC/DC30A
11	4211387	1	-	-	-	-	-	TERMINATED BALLAST 110 VOLT
12	4212526	1	1	1	1	1	1	HEATED GLASS LABEL
13	4212527	1	1	1	1	1	1	POWER LABEL
14	4213627	1	1	1	1	1	1	SWITCH DOUBLE POLE
15	4215006	1	1	1	1	1	1	BUSHING (HEYCO 2865)
16	4215101	1	1	1	1	1	1	AIR FILTER REPLACE LABEL
17	8800956	9	9	9	9	9	9	8-32 HEX NUT W/ETW

**LIST OF PARTS NOT SHOWN**

18	4214360	1	1	1	1	1	1	POWER HARNESS
19	4214362	1	1	1	1	1	1	POWER PANEL PRIMARY HARNESS
20	4214363	1	1	1	1	1	1	POWER PANEL SECONDARY HARNESS
21	4214391	1	1	1	1	1	1	RELAY PRIMARY HARNESS

### CONTROL BOARD MOUNT ASSEMBLY





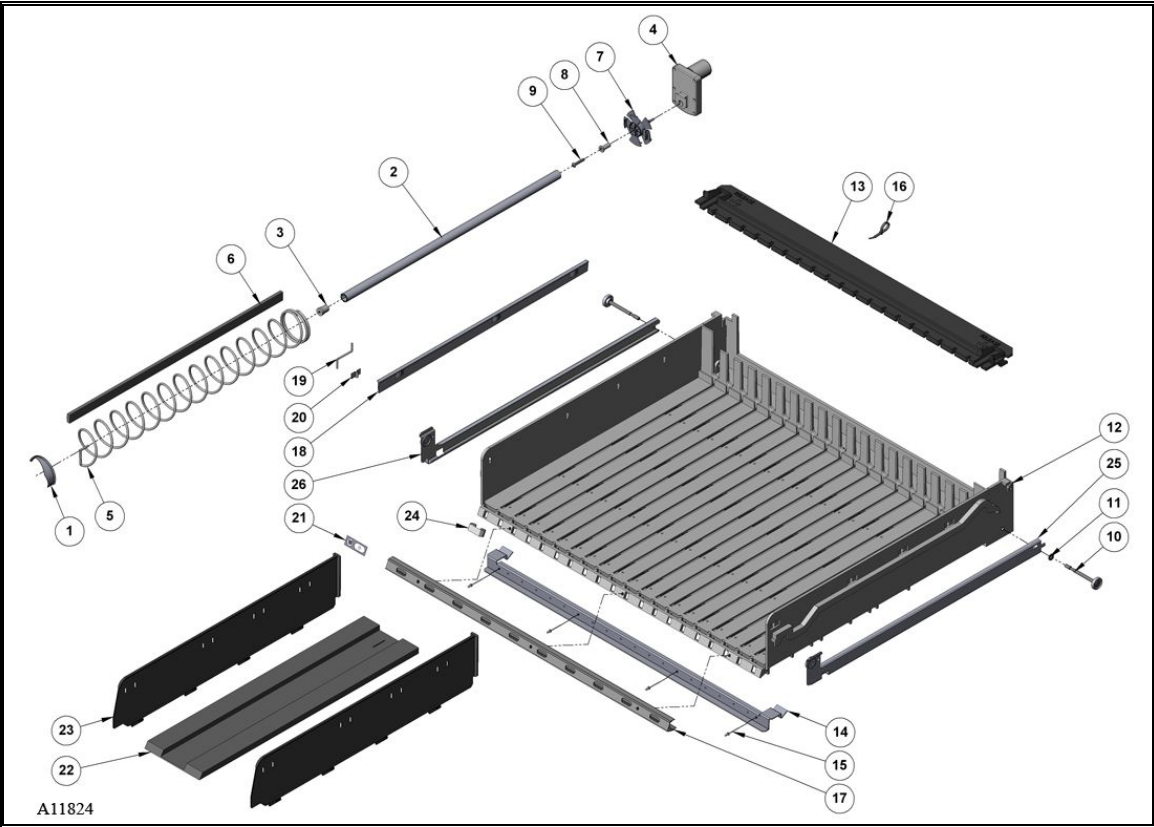
## CONTROL BOARD MOUNT ASSEMBLY PARTS LIST

ITEM NO	PART NUMBER	3517	3518	3519	3520	3521	3545	DESCRIPTION
1	4033712	4	4	4	4	4	4	CABLE TIE 7 3/8+
2	4050420	1	1	4	1	1	4	8-18 x 1/4 PHIL HWH TY
3	4050423	8	8	8	8	8	8	8-18 X 3/8 PHIL PH TY-A
4	4050585	1	1	1	1	1	1	#8 EXT TOOTH LOCK WASHER
5	4050667	2	2	2	2	2	2	1/8 x 1/4 ALUM POP RIVET
6	4206879	4	4	4	4	4	4	BOARD STANDOFF 3/8+
7	4214213	1	1	1	1	1	1	CONTROL BOARD MOUNT
8	4214215	1	1	1	1	1	1	DRAWER SLIDE MOUNT
9	4214682.002	1	1	1	1	1	1	CONTROL BOARD GVC2 2-WIRE
10	4214745	2	2	2	2	2	-	DRAWER SLIDE
	4216490	-	-	-	-	-	2	
11	4215219	1	1	1	1	1	1	CONTROL BOARD LATCH
12	4215398	1	1	1	1	1	1	SERVICE MODE LABEL
13	8620828	1	1	1	1	1	1	4 PIN COVER

### LIST OF PARTS NOT SHOWN

14	4214278	1	1	1	1	1	1	DEX HARNESS
15	4215373	1	1	1	1	1	1	DOOR SWITCH HARNESS
16	4215371	1	1	1	1	1	1	CONTROLLER 24V HARNESS
17	4215374	1	1	1	1	1	1	CONTROLLER DOOR HARNESS
18	4216021	1	1	1	1	1	1	CONTROLLER MOTOR MATRIX HARNESS

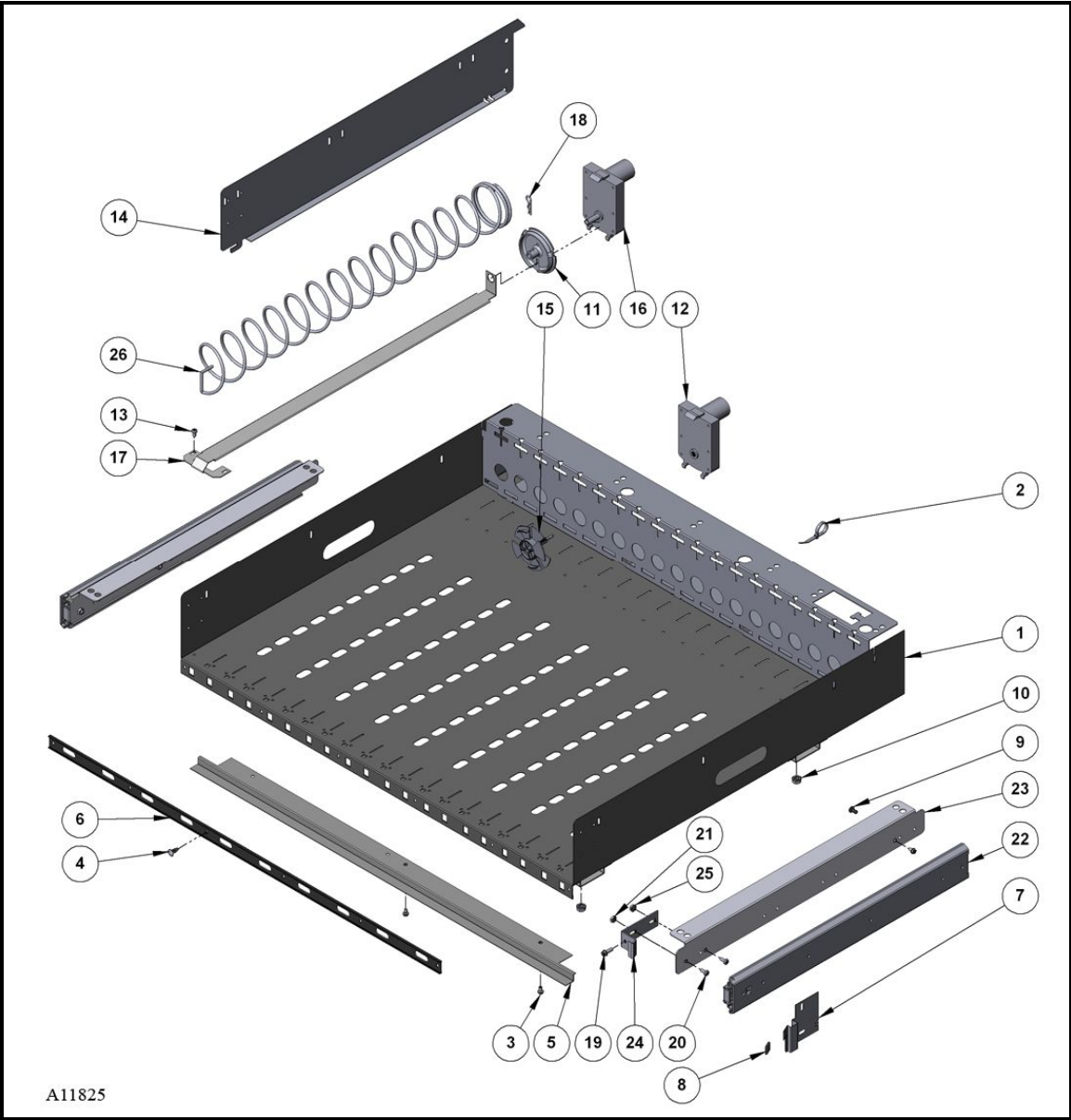
# PLASTIC TRAY ASSEMBLY



**PLASTIC TRAY ASSEMBLY PARTS LIST**

ITEM NO	PART NUMBER	3517	3518	3519	3520	3521	3545	DESCRIPTION
1	4025748	AR	AR	AR	AR	AR	AR	PRODUCT EJECTORS-CCW-BLACK
2	4202625.001	AR	AR	-	-	-	-	GUM & MINT HELIX TUBE 22 1/6+
3	4203101	AR	AR	-	-	-	-	END CAP
4	4034388.001	AR	AR	-	-	AR	-	24VDC MOTOR . 180 DEGREE
5	<a href="#">SEE PAGE#37</a>	AR	AR	-	-	-	-	AUGER-PRODUCT (CCW)
6	4202624.006	AR	AR	-	-	-	-	GUM & MINT SPACER W/TAPE
7	4209502	AR	AR	-	AR	AR	-	AUGER COUPLING GRAY
8	4210900	AR	AR	-	-	-	-	SHOULDER BUSHING
9	8810035	AR	AR	-	-	-	-	10-24 UNC x 1 TRUSS CROSS HEAD
10	4060670.009	AR	AR	AR	-	-	-	ROLLER
	4060670.004	-	-	-	AR	AR	-	
11	4203029	AR	AR	AR	-	-	-	WASHER-INNER DOOR
12	4210730.001	AR	AR	AR	-	-	-	TRAY 5W
	4203275	-	-	-	AR	AR	-	PRODUCT TRAY 3W
13	4210731 .005	AR	AR	AR	-	-	-	MOTOR COVER 5W
	4203277.003	-	-	-	AR	AR	-	MOTOR COVER 3W
14	4211371	AR	AR	AR	-	-	-	TRAY BRACE
15	4212631	AR	AR	AR	-	-	-	AL/SS PLYGRIP RIVET
16	4203509	AR	AR	AR	AR	AR	-	CABLE TIE
17	4210733.005	AR	AR	AR	-	-	-	TRAY EXTRUSION 5W
18	8370660.5	AR	AR	AR	AR	AR	AR	SPACER
19	8370998	AR	AR	AR	AR	AR	AR	SUPPORT-SPACER
20	4200281	AR	AR	AR	AR	AR	AR	SPRING CLIP
21	4213017.001	AR	AR	AR	AR	AR	AR	SELECTION SCROLL COVER
22	4200340	AR	AR	AR	AR	AR	-	HELIX RETAINER
23	4210732 .001	AR	AR	AR	-	-	-	DIVIDER
	4025797	-	-	-	AR	AR	-	PL - DIVIDER
24	<a href="#">SEE PAGE#38</a>	AR	AR	AR	AR	AR	AR	PRICE SCROLL
25	1200321.002	-	-	-	AR	AR	-	SIDE RAIL RIVET ASSEMBLY LEFT
26	1200321.003	-	-	-	AR	AR	-	SIDE RAIL RIVET ASSEMBLY RIGHT

# STEEL TRAY ASSEMBLY



A11825

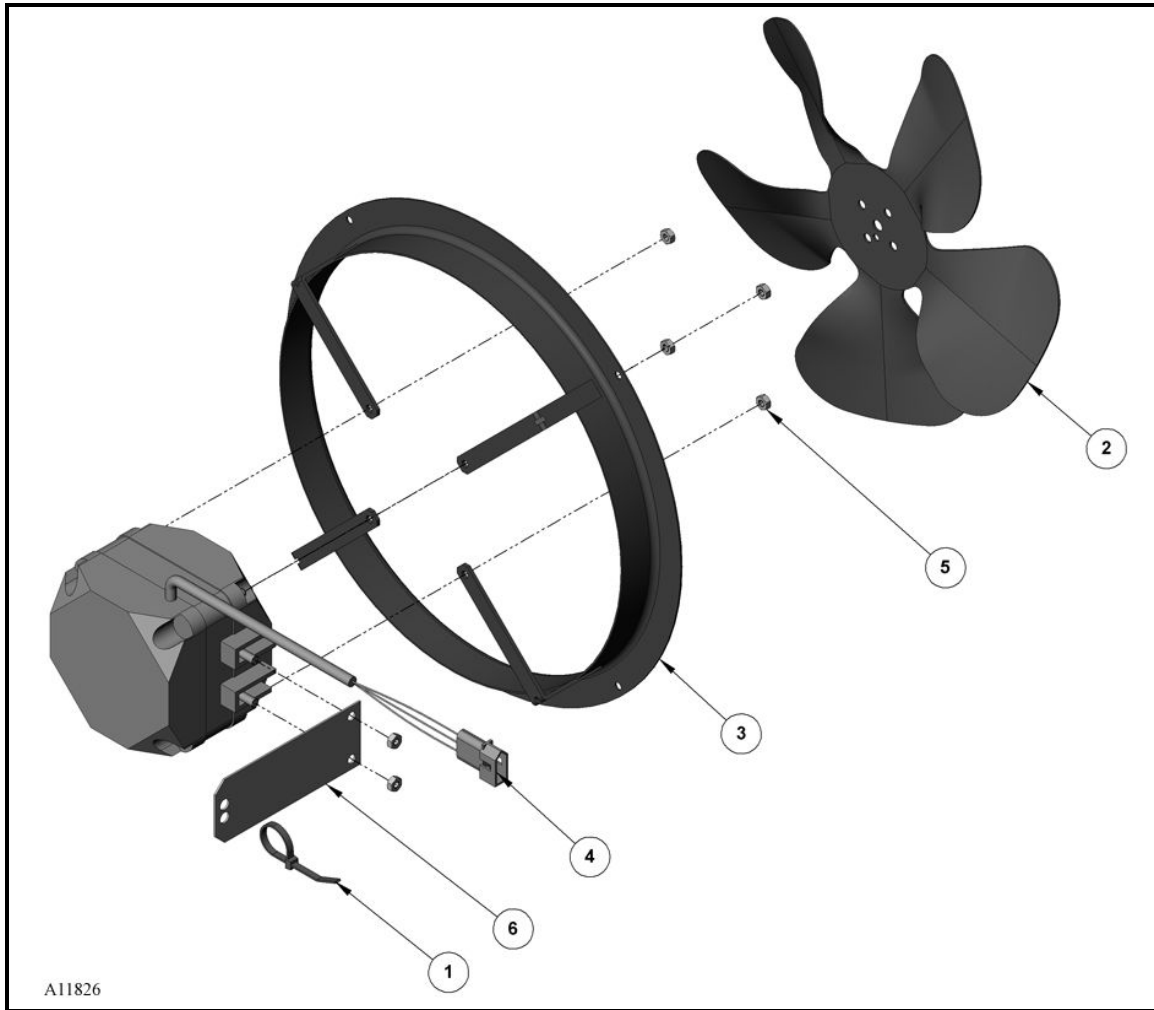
**STEEL TRAY ASSEMBLY PARTS LIST**

ITEM NO	PART NUMBER	3517	3518	3519	3520	3521	3545	DESCRIPTION
1	1216700	1	1	1	-	-	1	TRAY WELD (5W)
	1216776	-	-	-	1	1	-	TRAY WELD (3W)
2	4033712	1	1	1	1	1	1	CABLE TIE 7 3/8+
3	4050420	3	3	3	3	3	3	8-18 x 1/4 PHIL HWH TY
4	4205329	6	6	6	4	4	6	ARROW CLIP
5	4214260	1	1	1	-	-	1	TRAY LIP (5W)
	4214777	-	-	-	1	1	1	TRAY LIP (3W)
6	4214790	1	1	1	-	-	1	LABEL HOLDER (5W)
	4214789	-	-	-	1	1	-	LABEL HOLDER (3W)
7	4214998	1	1	1	1	1	1	SLIDE LATCH
8	8620828	1	1	1	1	1	1	4 PIN COVER
9	8800638	6	6	6	8	8	6	10-16 x 3/8 PHL PH TYPE
10	8800959	4	4	4	4	4	4	1/4 -20 HEX NUT W/ETW
11	4025745	20	10	30	12	18	40	COUPLING - AUGER
12	4034388	25	18	15	13	9	-	24 VDC MOTOR 360 DEGREE
	4034342	-	-	-	-	-	12	
13	4050423.001	40	20	60	24	36	80	8-18 x 3/2 PHIL PH TY-A
14	4209261.001	18	9	27	10	15	36	TRAY DIVIDER
15	4209502	25	20	15	10	9		AUGER COUPLING GRAY
16	4209662	20	10	30	12	18	40	24 VDC MOTOR . SHAFT 360 DEGREE
17	4214787	20	10	30	12	18	40	SPIRAL RETAINER
18	4214861	20	10	30	12	18	40	HITCH PIN
19	4050202.001	1	1	1	1	1	1	8-18 x 1/2 PHIL HWH TEK
20	4050240	5	5	5	5	5	5	8-32 x 3/8 PHIL PH MS
21	4050511	1	1	1	1	1	1	8-32 TWO WAY LOCK
22	4214233	1	1	1	1	1	1	DRAWER SLIDE
23	4214234	1	1	1	1	1	1	DRAWER SLIDE BRACE
24	4215085	1	1	1	1	1	1	SLIDE LATCH BRACKET
25	8800956	4	4	4	4	4	4	8-32 HEX NUT W/ETW
26	<a href="#">SEE PAGE#37</a>	AR	AR	AR	AR	AR	AR	AUGER - PRODUCT

**LIST OF PARTS NOT SHOWN**

27	4214343.005	1	1	1	-	-	1	TRAY HARNESS
	4214343.003	-	-	-	1	1	1	TRAY HARNESS

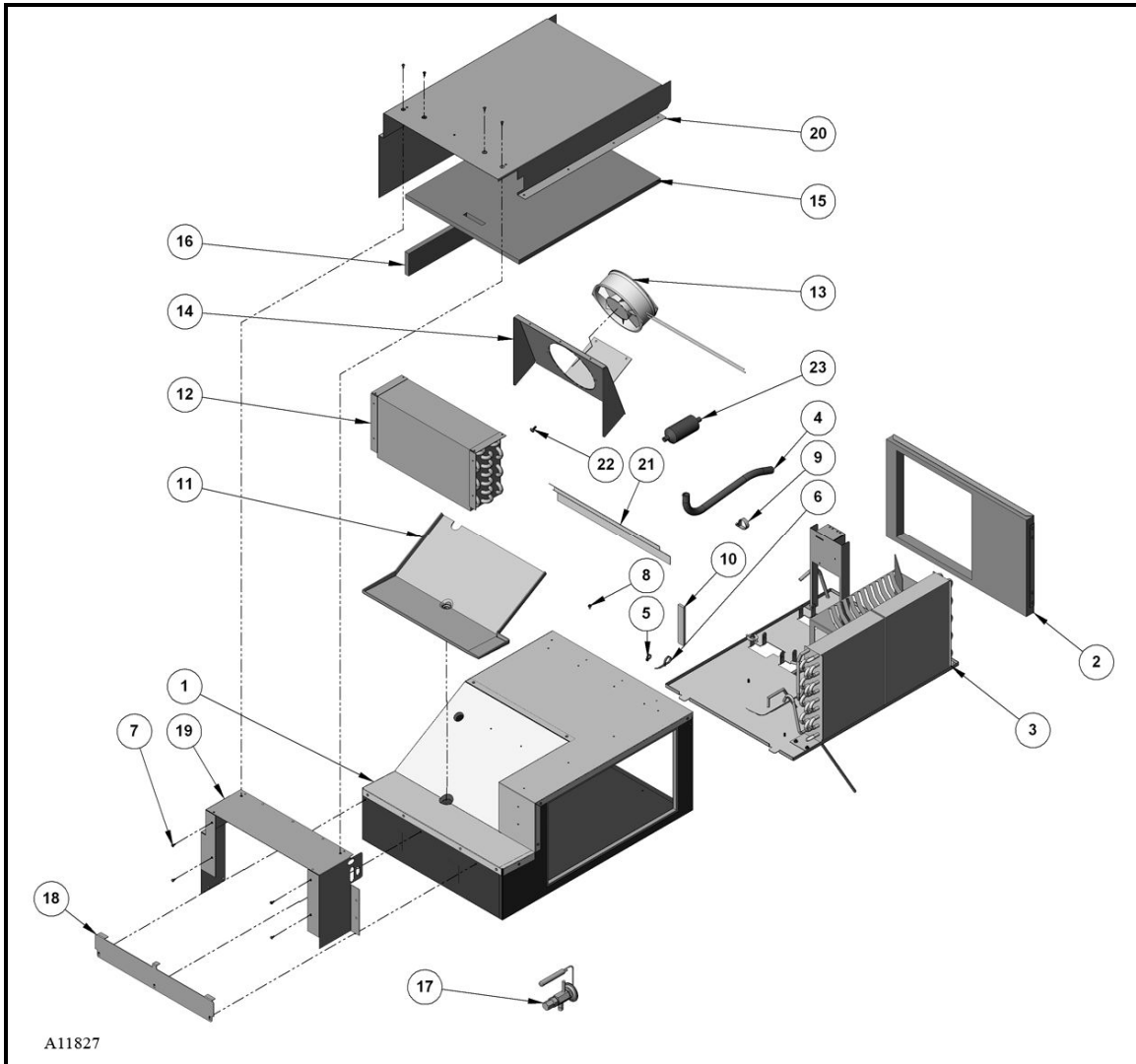
## CONDENSER FAN ASSEMBLY



### CONDENSER FAN ASSEMBLY PARTS LIST

ITEM NO	PART NUMBER	3517	3518	3519	3520	3521	3545	DESCRIPTION
1	4033704	1	1	1	1	1	1	CABLE TIE 5.6
2	4214313	1	1	1	1	1	1	BLADE
3	4214778.001	1	1	1	1	1	1	CONDENSOR FAN VENTURI RING
4	4214798	1	1	1	1	1	1	16 WATT FAN MOTOR
5	4215271	6	6	6	6	6	6	M4 X .7 HEX LOCK NUT
6	4215366	1	1	1	1	1	1	CONDENSOR FAN CABLE MOUNT

## REFRIGERATION MODULE ASSEMBLY



**REFRIGERATION MODULE PARTS LIST**

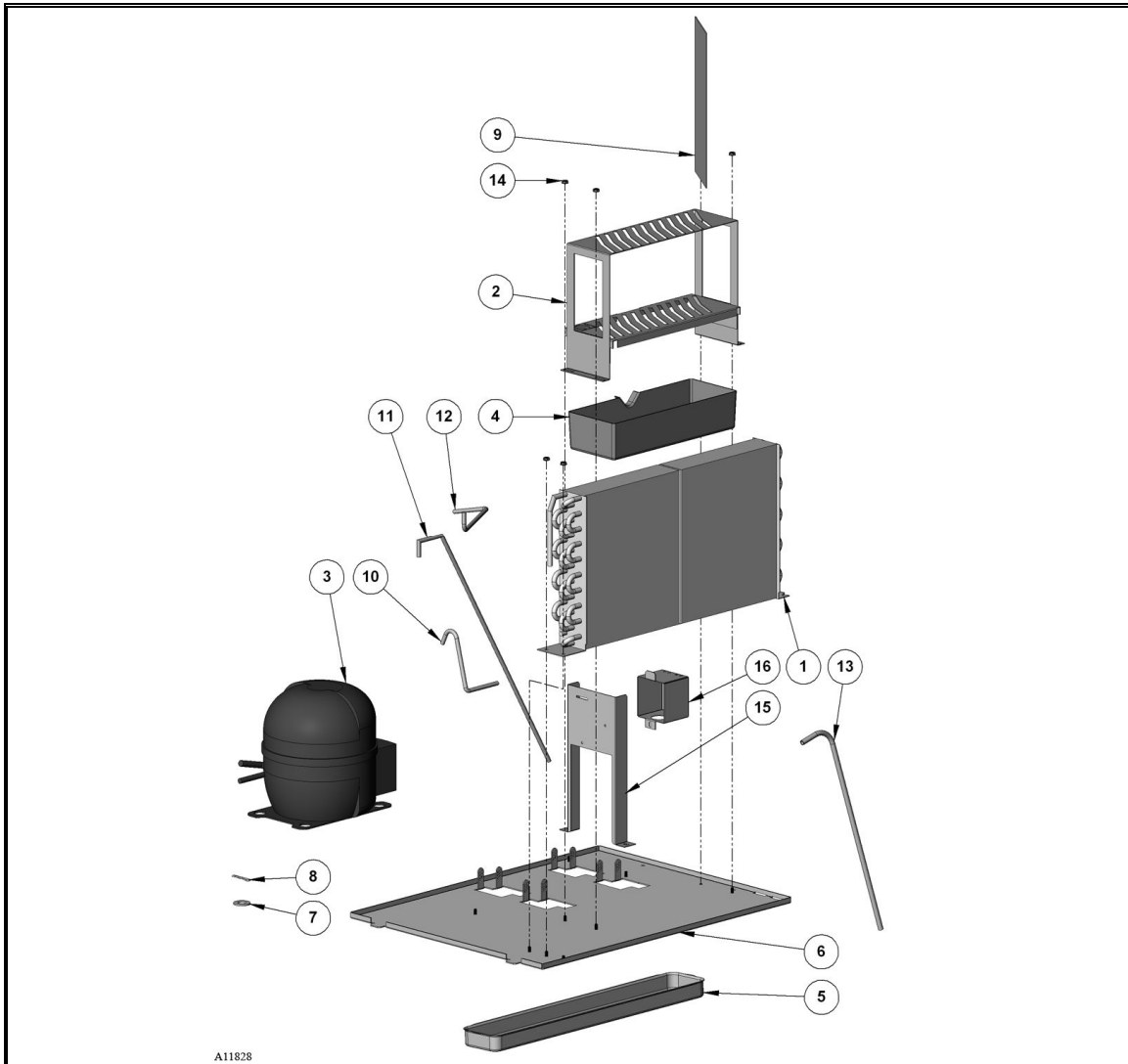
ITEM NO	PART NUMBER	3517	3518	3519	3520	3521	3545	DESCRIPTION
1	1216809	1	1	1	1	1	1	MODULE-FOAMED
2	1216818	1	1	1	1	1	1	REFER BACK COVER ASSEMBLY
3	<a href="#">SEE PAGE#31</a>	1	1	1	1	1	1	REFER BASE ASSEMBLY
4	4025410.500	AR	AR	AR	AR	AR	AR	TUBING MAYON RAW
5	4033704	5	5	-	5	5	5	CABLE TIE
6	4033712	4	4	-	4	4	4	CABLE TIE 7 3/8+
7	4050180	18	18	-	18	18	18	8-18 x 1/2 PHIL PH TEK
8	4050420	20	20	10	20	20	20	8-18 x 1/4 PHIL HWH TY
9	4060134	1	1	1	1	1	1	PLASTIC WIRE CLAMP 1"
10	4202255	AR	AR	AR	AR	AR	AR	GASKET 1/4 x3/4 W/ADHESIVE
11	4214818	1	1	1	1	1	1	EVAPORATOR DRAIN PAN
12	4214819	1	1	1	1	1	1	EVAPORATOR
13	4214996	1	1	1	1	1	1	EVAPORATOR FAN MOTOR/110V
14	4214997	1	1	1	1	1	1	FAN MOUNT
15	4215092	1	1	1	1	1	1	AIR DUCT INSULATOR
16	4215092.001	2	2	2	2	2	2	AIR DUCT INSULATOR
17	4215110	1	1	-	1	1	1	EXPANSION VALVE
18	4215113	1	1	1	1	1	1	EVAPORATOR DRAIN PAN HOLDER
19	4215325	1	1	1	1	1	1	EVAPORATOR MOUNT
20	4215326	1	1	1	1	1	1	EVAPORATOR AIR DUCT
21	4215798	1	1	1	1	1	1	AIR BAFFLE FRONT
22	8800833	2	2	2	2	2	2	10-32 x 1/2 PHIL TH W/ETW
23	4214820	-	-	1	-	-	-	1/2HP ACCUMULATOR

**LIST OF PARTS NOT SHOWN**

24	R .3994	AR	AR	AR	AR	AR	AR	SEAL . MASTIC PERMAGUM
25	4201709	AR	AR	-	AR	AR	AR	SOLDER SAFE SIL15%
26	4206366.005	1	1	-	1	1	1	INSULATION TUBING 52+
	4206366.008	-	-	1	-	-	-	INSULATION TUBING 72+
27	4212649	4	4	-	1	1	4	ALUM TAPE 2+50 YD ROLL
28	4212656	AR	AR	-	AR	AR	AR	5/8 ID INSUL TUBE W/SLIT
29	4214348	1	1	1	1	1	1	REFERIGERATION SYSTEM HARNESS
30	4215209	-	-	1	-	-	-	½ HP COMP-RELAY PWR JUM



## REFRIGERATION BASE ASSEMBLY



A11828

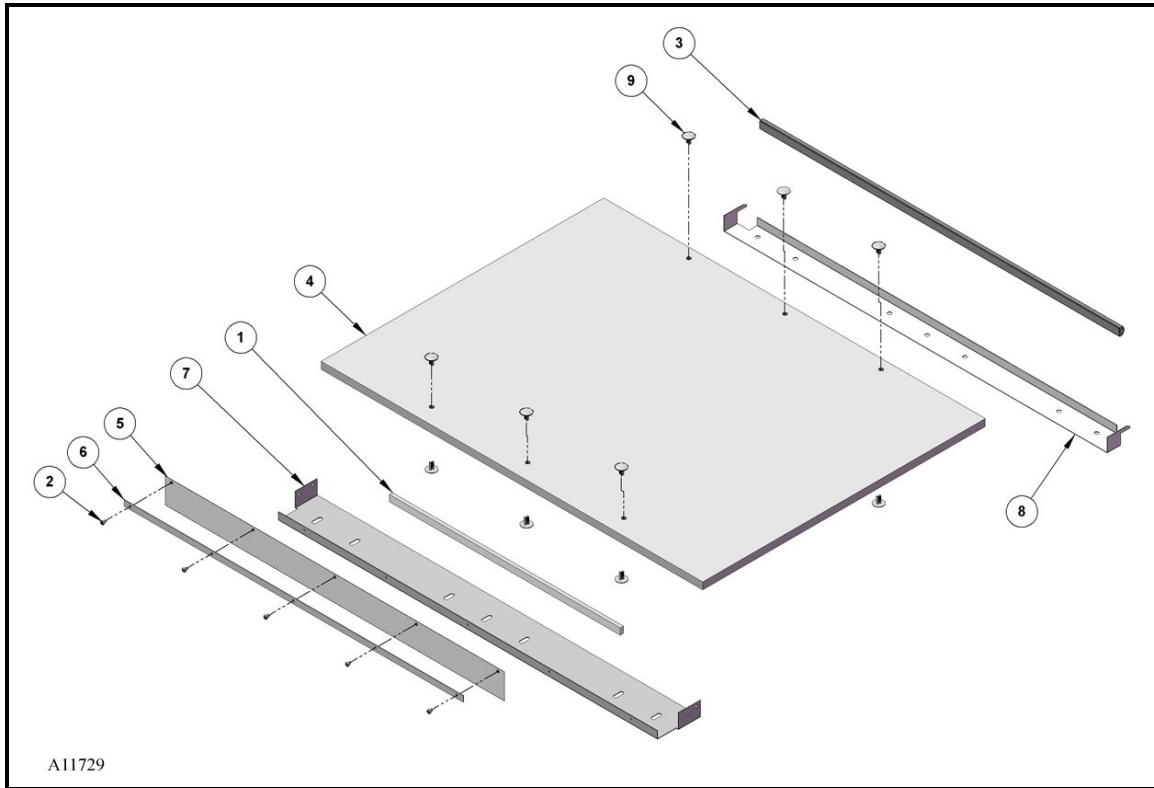
**REFRIGERATION BASE ASSEMBLY PARTS LIST**

ITEM NO	PART NUMBER	3517	3518	3519	3520	3521	3545	DESCRIPTION
1	1216651	1	1	-	1	1	1	CONDENSOR 1/3 H.P
	1216690	-	-	1	-	-	-	CONDENSOR 1/2 H.P
2	1216968	1	1	1	1	1	1	EVAPORATE CARD WELD
3	4213095	1	1	-	1	1	1	COMPRESSOR (SUPER 1/3)
4	4215256	1	1	-	-	-	1	DRAIN PAN W/SPOUT
	4215256.001	-	-	1	1	1	-	
5	7200623	1	1	-	1	1	1	DRAIN PAN
6	1216961	1	1	1	1	1	1	REFER BASE STAKE ASSEMBLY
7	4050608	8	8	4	8	8	8	1/2 FLAT WASHER-ZINC
8	4050773.001	4	4	4	4	4	4	#17 HITCH PIN %CLOSED+
9	4214735	12	12	12	12	12	12	EVAPORATE CARD
10	4215044	1	1	1	1	1	1	CONDENSOR TO DRIER
11	4215045	1	1	1	1	1	1	PROCESS TUBE
12	4215046	1	1	-	1	1	1	COMPRESSOR TO CONDENSOR
13	4215047	1	1	-	1	1	1	COMPRESSOR DISCHARGE
14	8800956	7	7	-	7	7	7	8-32 HEX NUT W/ETW
	8800955	-	-	6	-	-	-	6-32 HEX NUT W/ETW
15	4215268	-	-	1	-	-	-	RELAY ENCLOSURE
16	4215269	-	-	1	-	-	-	RELAY COVER MOUNT

**LIST OF PARTS NOT SHOWN**

17	4205468.003	1	1	-	1	1	1	DRIER BONDED CORE
18	4205468.002	-	-	1	-	-	-	DRIER BONDED CORE
19	4212286	1	1	-	1	1	1	STARTING CAPACITOR/110V
20	4215048	1	1	-	1	1	1	SUCTION LINE TO COMPRESSOR
21	4216098	1	1	-	1	1	1	1/4+LIQUID LINE
22	4214256	-	-	1	-	-	-	1/2 HP COMPRESSOR/100 VAC

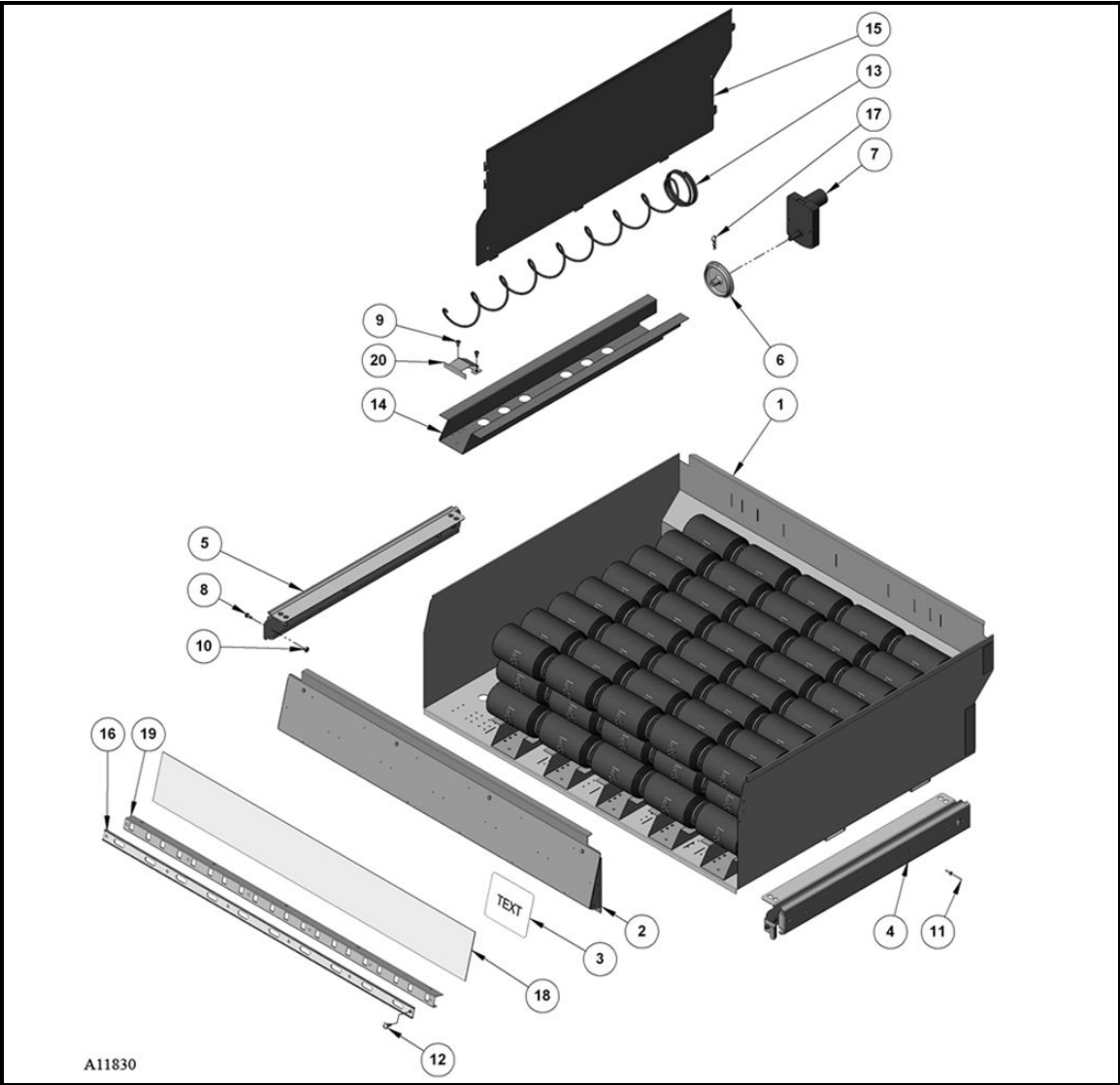
## INSULATION BARRIER ASSEMBLY



### INSULATION BARRIER ASSEMBLY PARTS

ITEM NO	PART NUMBER	3517	3518	3519	3520	3521	3545	DESCRIPTION
1	4060006.5	AR	AR	-	AR	-	-	1/4" X 1/2" FOAM TAPE
2	4201942	5	5	-	5	-	-	6-20 X 3/16 PHIL PH TYP B
3	4213532	AR	AR	-	AR	-	-	D-GASKET
4	4214292.005	1	1	-	-	-	-	INSULATING BARRIER(5W)
	4214292.003	-	-	-	1	-	-	INSULATING BARRIER(3W)
5	4215056	1	1	-	-	-	-	AIR GAP CURTAIN (5W)
	4215055	-	-	-	1	-	-	AIR GAP CURTAIN (3W)
6	4215058	1	1	-	-	-	-	CURTAIN RETAINER PLATE (5W)
	4215057	-	-	-	1	-	-	CURTAIN RETAINER PLATE (3W)
7	4215918	1	1	-	-	-	-	FRONT BARRIER BRACE
	4216066	-	-	-	1	-	-	
8	4215919	1	1	-	-	-	-	BACK BARRIER BRACE
	4216067	-	-	-	1	-	-	
9	4215939	12	12	-	12	-	-	BARBED RIVET

# DISPENSER MECHANISM ASSEMBLY



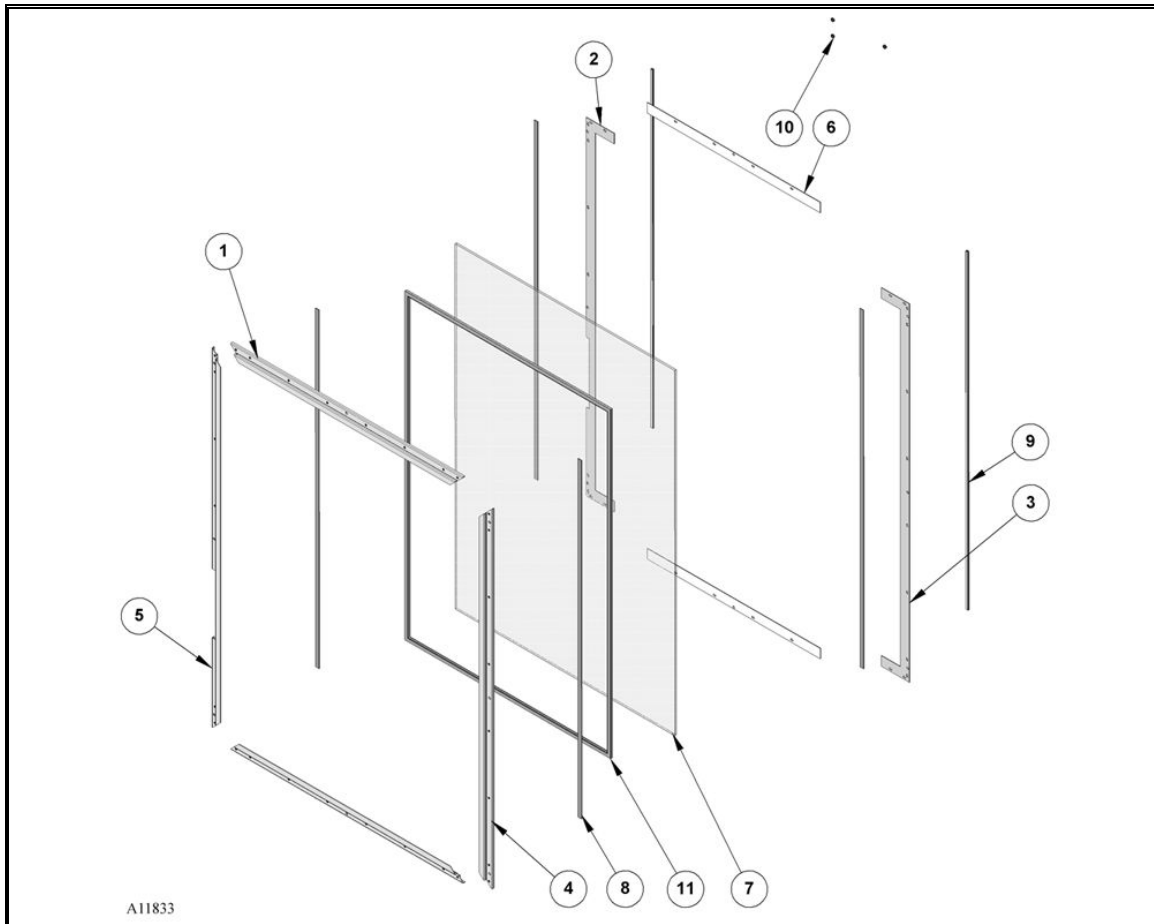
**DISPENSER MECHANISM ASSEMBLY PARTS LIST**

ITEM NO	PART NUMBER	3517	3518	3519	3520	3521	3545	DESCRIPTION
1	1216695	-	1	-	-	-	1	TRAY WELD (5W)
2	1216840.005	-	1	-	-	-	1	WINDOW RETAINER WELD
3	4214981	-	AR	-	-	-	AR	FLAVOR DECAL SHEET
4	1217031	-	1	-	-	-	1	RAIL SUPPORT ASSEMBLY RIGHT
5	1217031.001	-	1	-	-	-	1	RAIL SUPPORT ASSEMBLY LEFT
6	4025745	-	6	-	-	-	6	COUPLING AUGER
7	4034342	-	6	-	-	-	6	24 VDC MOTOR . 360 DEGREE
8	4050240	-	9	-	-	-	9	8-32 x .3/8 PHIL PH MS
9	4050423	-	12	-	-	-	12	8-18X3/8 PHIL PH TY-A
10	4050511	-	2	-	-	-	2	8-32 TWO WAY LOCK NUT
11	4050667	-	6	-	-	-	6	1/8 x 1/4 ALUM POP RVT
12	4205329	-	6	-	-	-	6	ARROW CLIP
13	4214090	-	6	-	-	-	6	AUGER 8 C.T
14	4214092	-	6	-	-	-	6	SPIRAL RETAINER
15	4214239	-	5	-	-	-	5	TRAY DIVIDER
16	4214790	-	1	-	-	-	1	LABEL HOLDER (5 WIDE)
17	4214861	-	6	-	-	-	6	HITCH PIN
18	4214891.005	-	1	-	-	-	1	SELECTION LABEL WINDOW
19	4214896	-	1	-	-	-	1	SCROLL RETAINER (5W)
20	4214910	-	6	-	-	-	6	SPIRAL LIFT

**LIST OF PARTS NOT SHOWN**

21	4215985	-	1	-	-	-	1	TRAY HARNESS . CAN MECHANISM
----	---------	---	---	---	---	---	---	------------------------------

## GLASS PROTECTOR ASSEMBLY (3518)



A11833

### GLASS PROTECTOR ASSEMBLY PARTS LIST (OPTIONAL)

ITEM NO	PART NUMBER	3517	3518	3519	3520	3521	3545	DESCRIPTION
1	1216912	-	2	-	-	-	-	PROTECTIVE GLASS TOP & BOTTOM STAKE
2	4215078.001	-	1	-	-	-	-	GLASS RETAINER SIDE
3	4215078	-	1	-	-	-	-	GLASS RETAINER SIDE
4	1216907	-	1	-	-	-	-	GLASS PROTECTOR STAKE
5	1216907.001	-	1	-	-	-	-	GLASS PROTECTOR STAKE
6	4215073	-	2	-	-	-	-	GLASS RETAINER TOP AND BOTTOM
7	4215103	-	1	-	-	-	-	PROTECTIVE GLASS
8	4209845.002	-	AR	-	-	-	-	PROTECTIVE WINDOW SEAL ¼+
9	4215365	-	AR	-	-	-	-	D-GASKET
10	8800956	-	30	-	-	-	-	8-32 HEX NUT W/ETW
11	4215311.005	-	1	-	-	-	-	WINDOW GASKET

#### LIST OF PARTS NOT SHOWN

### OPTIONAL SPIRALS

SINGLE SPIRAL - CCW PART NUMBER	DUAL SPIRAL - CW PART NUMBER	SPIRAL SIZE	SPIRAL COUNT	ESTIMATED PRODUCT SIZE INCHES (MM)
4200272.100309	4205532.100309	Candy	15	1.22 (31)
4200272.101309	4205532.101309	Candy	18	1.00 (25)
4200272.102309	4205532.102309	Candy	24	0.71 (18)
4200272.103309	4205532.103309	Candy	30	0.51 (13)
4200272.104309	4205532.104309	Candy	12	1.55 (39)
4200272.105309	4205532.105309	Candy	9	2.10 (53)
4200272.106309	4205532.106309	Candy	6	3.16 (80)
4200272.107309		Snack	10	1.89 (48)
4200272.108309		Snack	12	1.55 (39)
4200272.109309		Snack	15	1.22 (31)
4200272.110309		Snack	7	2.71 (69)
4200272.111309		Snack	8	2.37 (60)
4200272.131309	4205532.131309	Candy	10	1.89 (48)
4200272.132309	4205532.132309	Candy	11	1.72 (44)
4200272.133309		Snack	30	0.51 (13)
4200272.134309	4205532.134309	Snack	18	1.00 (25)
4200272.137309		Snack	11	1.72 (44)
4200272.138309		Snack	6	3.16 (80)
4200272.139309	4205532.139309	Snack	5	3.50 (89)
4200272.140309		Snack	12	1.63 (41)
4200272.141309		Candy	29 1/2	0.52 (13)
4200272.142309	4205532.142309	Candy	8	2.37 (60)
4200272.145309	4205532.145309	Candy	5	3.50 (89)
4200272.147309	4205532.147309	Candy	4	4.38 (111)
4200272.148309	4205532.148309	Candy	3	5.80 (147)
4202313.100309		G&M	18/36	1.00 (25)
4202313.102309		G&M	24/48	0.71 (18)
4202313.103309		HiCap	30/60	0.50 (13)
4202313.104309		HiCap	24/48	0.71 (18)
4202313.105309		HiCap	18/36	1.00 (25)
4202313.106309		HiCap	15/30	1.22 (31)
4202313.107309		G&M	20/40	0.86 (22)
4202313.108309		HiCap	12/24	1.55 (39)

## OPTIONAL PRICE SCROLLS

PRICE SCROLL PART NUMBER	SCROLL PRICE RANGE	COUNTRY
4214343.001	FREE AND .35-1.00 (.05 increments)	USA
4214343.002	.05-.30 AND 1.05 to 1.45 (.05 increments)	USA
4214343.003	1.50 TO 2.20 (.05 increments)	USA
4214343.004	2.25 TO 2.95 (.05 increments)	USA
4214343.005	3.00 TO 3.70 (.05 increments)	USA
4214343.006	3.75 TO 4.45 (.05 increments)	USA
4214343.007	4.50 TO 5.20 (.05 increments)	USA
4214343.008	5.25 TO 5.95 (.05 increments)	USA
4214343.009	6.00 TO 6.70 (.05 increments)	USA
4214343.010	6.75 TO 7.45 (.05 increments)	USA
4214343.011	7.50 TO 8.20 (.05 increments)	USA
4214343.012	8.25 TO 8.95 (.05 increments)	USA
4214343.013	9.00 TO 9.70 (.05 increments)	USA
4214343.014	9.75 TO 10.45 (.05 increments)	USA
4214343.015	11.00 TO 25.00 (1.00 increments)	USA
4214343.016	30.00 TO 100.00 (5.00 increments)	USA
4214343.017	1.5 TO 8.5 (0.5 increments)	MEXICO
4214343.018	9.0 TO 16.0 (0.5 increments)	MEXICO
4214343.019	0.5 TO 1.0 AND 16.5 TO 22.5 (0.5 increments)	MEXICO
4214343.020	1.00 TO 2.40 (0.10 increments)	AUSTRALIA/NZ
4214343.021	2.50 TO 3.90 (0.10 increments)	AUSTRALIA/NZ
4214343.022	300 TO 1600 (100 increments)	VENEZUELA
4214343.023	1700 TO 3000 (100 increments)	VENEZUELA
4214343.024	3100 TO 4400 (100 increments)	VENEZUELA
4214343.025	4500 TO 5800 (100 increments)	VENEZUELA
4214343.026	5900 TO 7200 (100 increments)	VENEZUELA
4214343.027	7300 TO 8600 (100 increments)	VENEZUELA
4214343.028	4.00 TO 7.50 (.25 increments)	USA
4214343.029	7.75 TO 11.25 (.25 increments)	USA
4214343.030	.50 TO 4.00 (.25 increments)	USA



**NOTES**

*The contents of this publication are presented for informational purposes only, and while every effort has been made to ensure their accuracy, they are not to be construed as warranties or guarantees, express or implied, regarding the products or services described herein or their use or applicability. We reserve the right to modify or improve the designs or specifications of such products at any time without notice.*



**VendNet™**  
 165 North 10th Street  
 Waukee, Iowa 50263  
 United States of America



	USA & Canada	International
Service	<b>(800) 833-4411</b>	<b>(515) 274-3641</b>
Parts	<b>(888) 259-9965</b>	
Email	<b>vendnet@vendnetusa.com</b>	
Web Site	<b>www.vendnetusa.com</b>	